



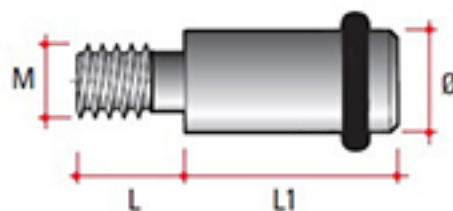
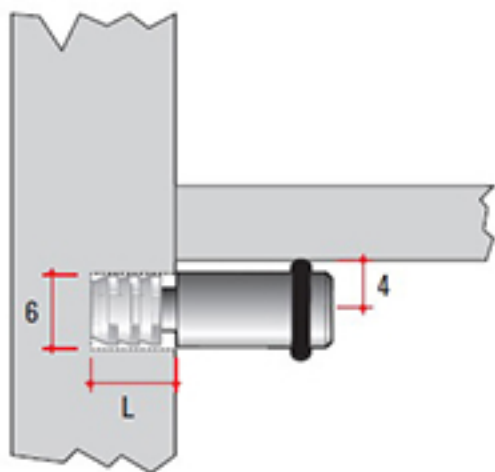
MATERIALE - MATERIAL - MATIÈRE

Ferro (Steel) (Acier)

FINITURA - FINISH - FINITION

FNL - F0

Art.	Ø	L	L1	M		
MV13	7	7,5	15	M5	2.500	13,2

**Mensolina M5 con O-Ring.**

Shelf support M5 w/O-Ring.

Taquet M5 avec o-ring.

