



WEEN HIDE 180

GRUPPO CERNIERE ANTA RIBALTA



Kit cerniere a scomparsa per A/R | Concealed hinge kit for T&T |
Kit paumelles invisibles por O/B | Kit bisagras ocultas para O/B



Leve e pioli in acciaio inox, supporto e corpo di regolazione in zama.
Portata massima: 130 Kg - 150 Kg in abbinamento a 3310.50



Lever and rods in stainless steel, support and adjustment body in zamak.
Maximum capacity: 130 Kg - 150 Kg in combination with 3310.50



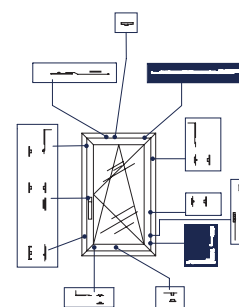
Levers et pion en acier inox, support et corps de réglage en zamak.
Charge maximale: 130 Kg - 150 Kg en combinaison avec 3310.50



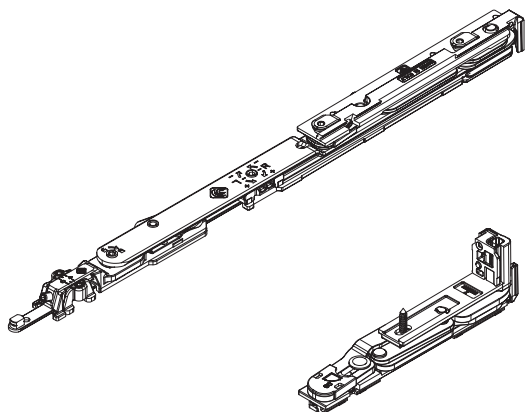
Palancas y ganchos en acero inoxidable, soporte y cuerpo de ajuste en zamac.
Capacidad máxima: 130 Kg - 150 Kg en combinación con 3310.50



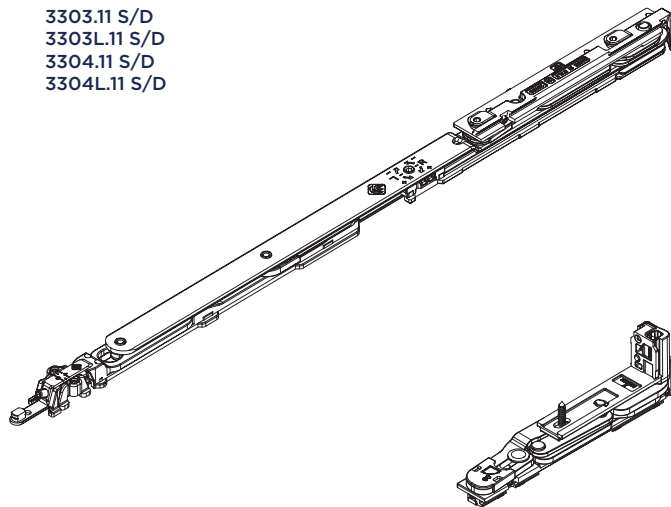
| ART. | TUTTI ALL |
|---|-------------|
| Imballo Package Conditionnement Embalaje | 5 Pz |
| Finiture disponibili Available finishes Finitions disponibles Acabados disponibles | 2 3 4 |



3303.10 S/D
3303L.10 S/D
3304.10 S/D
3304L.10 S/D



3303.11 S/D
3303L.11 S/D
3304.11 S/D
3304L.11 S/D



| Art. | NODO SECTION |
|--|----------------|
| 3303.10 S/D 3303L.10 S/D 3303.11 S/D 3303L.11 S/D | A03 |
| 3304.10 S/D 3304L.10 S/D 3304.11 S/D 3304L.11 S/D | A01 - A05 |

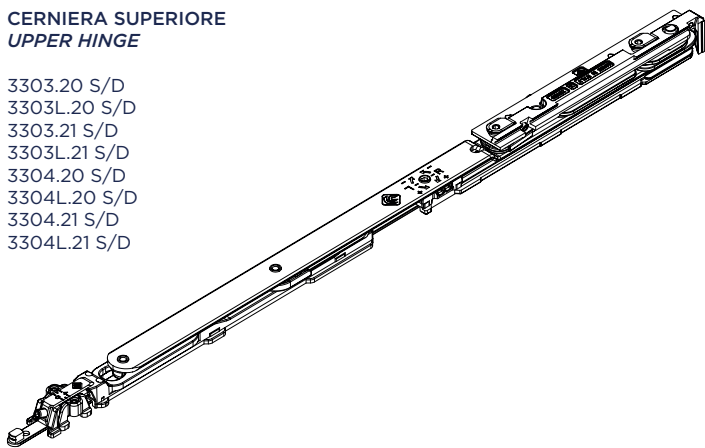
| ART. | DESCRIZIONE DESCRIPTION | TIPO TYPE |
|------------------------------|---|----------------------------|
| 3303.10 S/D 3304.10 S/D | L anta da 470mm a 670mm L sash from 460mm to 670mm | Standard |
| 3303L.10 S/D 3304L.10 S/D | L anta da 470mm a 670mm L sash from 460mm to 670mm | Logica Tilt before turn |

| ART. | DESCRIZIONE DESCRIPTION | TIPO TYPE |
|------------------------------|---|----------------------------|
| 3303.11 S/D 3304.11 S/D | L anta da 671mm a 1700mm L sash from 671mm to 1700mm | Standard |
| 3303L.11 S/D 3304L.11 S/D | L anta da 671mm a 1700mm L sash from 671mm to 1700mm | Logica Tilt before turn |

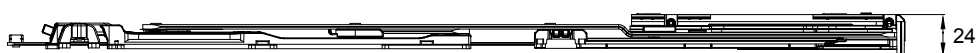
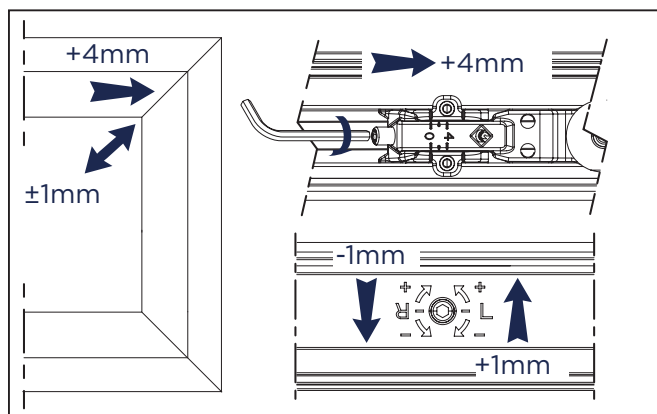


**CERNIERA SUPERIORE
UPPER HINGE**

- 3303.20 S/D
- 3303L.20 S/D
- 3303.21 S/D
- 3303L.21 S/D
- 3304.20 S/D
- 3304L.20 S/D
- 3304.21 S/D
- 3304L.21 S/D

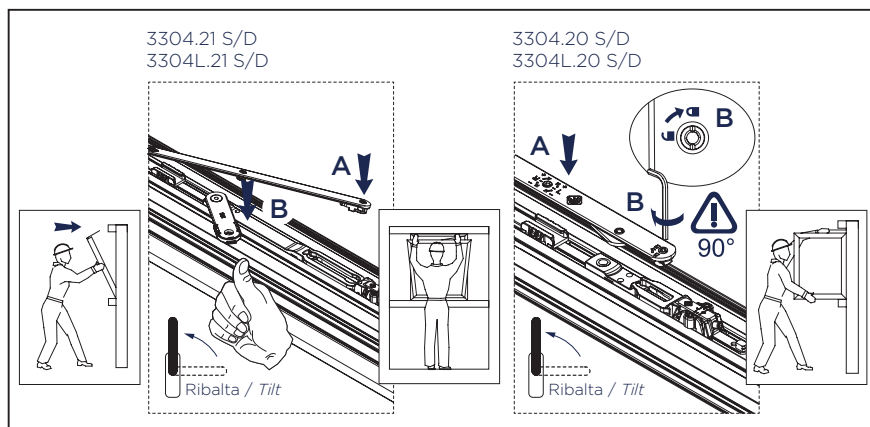


REGOLAZIONI | ADJUSTEMENT



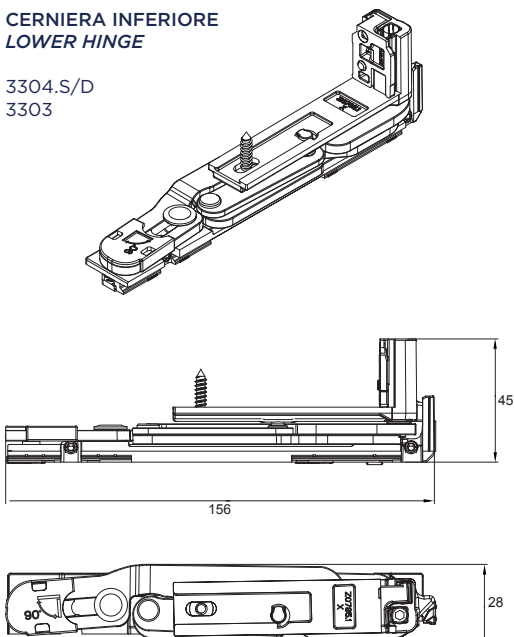
INDICAZIONI DI MONTAGGIO | MOUNTING PHASE

| ART. | DESCRIZIONE DESCRIPTION | TIPO TYPE |
|------------------------------|---|-------------------------------|
| 3304.20 S/D 3303.20 S/D | L anta da 470mm a 670mm L sash from 460mm to 670mm | Standard |
| 3304L.20 S/D 3303L.20 S/D | L anta da 470mm a 670mm L sash from 460mm to 670mm | Logica Tilt before turn |
| 3304.21 S/D 3303.21 S/D | L anta da 671mm a 1700mm L sash from 671mm to 1700mm | Standard |
| 3304L.21 S/D 3303L.21 S/D | L anta da 671mm a 1700mm L sash from 671mm to 1700mm | Logica Tilt before turn |

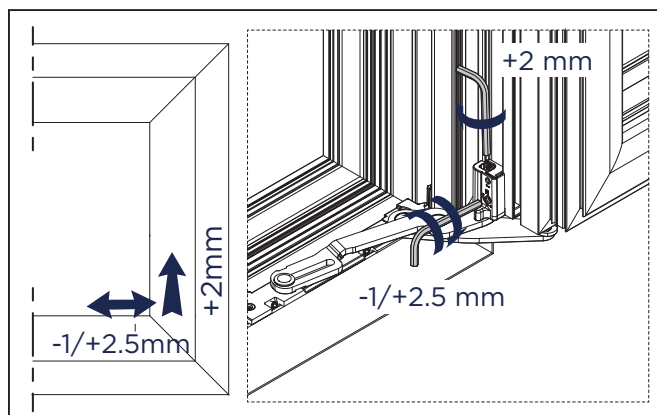


**CERNIERA INFERIORE
LOWER HINGE**

- 3304.S/D
- 3303



REGOLAZIONI | ADJUSTEMENT



| Art. | NODO SECTION |
|---|----------------|
| 3303.20 S/D 3303L.20 S/D 3303.21 S/D 3303L.21 S/D 3303 | A03 |
| 3304.20 S/D 3304L.20 S/D 3304.21 S/D 3304L.21 S/D 3304.S/D | A01 - A05 |

DIAGRAMMI DI CARICO

LOAD CHART

TABELLE DI CARICO PER CONFIGURAZIONI MONOANTA
LOAD CHARTS FOR ONE SASH CONFIGURATIONS

130 kg

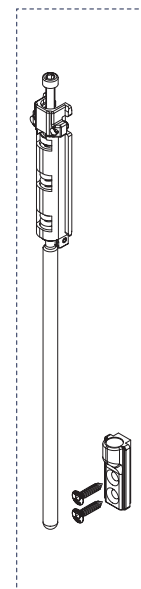
spessore vetro max | maximum thickness of the glass - s [mm]

| | | | | | | | | | | | | | | |
|-------|-----|-----|-----|-----|------|------|------|------|------|------|------|------|------|------|
| 2700 | 48 | 39 | 32 | 28 | 24 | 21 | 19 | 18 | 16 | 15 | 14 | 13 | 12 | 11 |
| 2600 | 50 | 40 | 33 | 29 | 25 | 22 | 20 | 18 | 17 | 15 | 14 | 13 | 13 | 12 |
| 2500 | 50 | 42 | 35 | 30 | 26 | 23 | 21 | 19 | 17 | 16 | 15 | 14 | 13 | 12 |
| 2400 | 50 | 43 | 36 | 31 | 27 | 24 | 22 | 20 | 18 | 17 | 15 | 14 | 14 | 13 |
| 2300 | 50 | 45 | 38 | 32 | 28 | 25 | 23 | 21 | 19 | 17 | 16 | 15 | 14 | 13 |
| 2200 | 50 | 47 | 39 | 34 | 30 | 26 | 24 | 21 | 20 | 18 | 17 | 16 | 15 | 14 |
| 2100 | 50 | 50 | 41 | 35 | 31 | 28 | 25 | 23 | 21 | 19 | 18 | 17 | 15 | 13 |
| 2000 | 50 | 50 | 43 | 37 | 33 | 29 | 26 | 24 | 22 | 20 | 19 | 17 | 16 | 14 |
| 1900 | 50 | 50 | 46 | 39 | 34 | 30 | 27 | 25 | 23 | 21 | 20 | 18 | 15 | 14 |
| 1800 | 50 | 50 | 48 | 41 | 36 | 32 | 29 | 26 | 24 | 22 | 21 | 17 | 16 | 15 |
| 1700 | 50 | 50 | 50 | 44 | 38 | 34 | 31 | 28 | 25 | 24 | 20 | 18 | 17 | 16 |
| 1600 | 50 | 50 | 50 | 46 | 41 | 36 | 33 | 30 | 27 | 23 | 21 | 20 | 18 | 14 |
| 1500 | 50 | 50 | 50 | 50 | 43 | 39 | 35 | 32 | 29 | 24 | 22 | 21 | 16 | 12 |
| 1400 | 50 | 50 | 50 | 50 | 46 | 41 | 37 | 34 | 28 | 26 | 24 | 19 | 14 | 13 |
| 1300 | 50 | 50 | 50 | 50 | 50 | 44 | 40 | 33 | 30 | 28 | 21 | 16 | 15 | 9 |
| 1200 | 50 | 50 | 50 | 50 | 50 | 48 | 39 | 35 | 33 | 25 | 19 | 17 | 11 | 5 |
| 1100 | 50 | 50 | 50 | 50 | 50 | 47 | 43 | 39 | 30 | 22 | 20 | 13 | 6 | N.D. |
| 1000 | 50 | 50 | 50 | 50 | 50 | 50 | 47 | 35 | 26 | 24 | 15 | 7 | N.D. | N.D. |
| 900 | 50 | 50 | 50 | 50 | 50 | 50 | 35 | 32 | 19 | 9 | N.D. | N.D. | N.D. | N.D. |
| 800 | 50 | 50 | 50 | 50 | 50 | 43 | 39 | 24 | 11 | N.D. | N.D. | N.D. | N.D. | N.D. |
| 700 | 50 | 50 | 50 | 50 | 50 | 50 | 15 | N.D. | N.D. | N.D. | N.D. | N.D. | N.D. | N.D. |
| 600 | 50 | 50 | 50 | 50 | 43 | 19 | N.D. | N.D. | N.D. | N.D. | N.D. | N.D. | N.D. | N.D. |
| 500 | 50 | 50 | 50 | 50 | N.D. | N.D. | N.D. | N.D. | N.D. | N.D. | N.D. | N.D. | N.D. | N.D. |
| H \ L | 470 | 500 | 600 | 700 | 800 | 900 | 1000 | 1100 | 1200 | 1300 | 1400 | 1500 | 1600 | 1700 |

150 kg *

spessore vetro max | maximum thickness of the glass - s [mm]

| | | | | | | | | | | | | | | |
|-------|-----|-----|-----|-----|------|------|------|------|------|------|------|------|------|------|
| 2700 | 50 | 44 | 37 | 32 | 28 | 25 | 22 | 20 | 19 | 17 | 16 | 15 | 14 | 13 |
| 2600 | 50 | 46 | 38 | 33 | 29 | 26 | 23 | 21 | 19 | 18 | 16 | 15 | 14 | 14 |
| 2500 | 50 | 48 | 40 | 34 | 30 | 27 | 24 | 22 | 20 | 18 | 17 | 16 | 15 | 14 |
| 2400 | 50 | 50 | 42 | 36 | 31 | 28 | 25 | 23 | 21 | 19 | 18 | 17 | 16 | 15 |
| 2300 | 50 | 50 | 43 | 37 | 33 | 29 | 26 | 24 | 22 | 20 | 19 | 17 | 16 | 15 |
| 2200 | 50 | 50 | 45 | 39 | 34 | 30 | 27 | 25 | 23 | 21 | 19 | 18 | 17 | 16 |
| 2100 | 50 | 50 | 48 | 41 | 36 | 32 | 29 | 26 | 24 | 22 | 20 | 19 | 18 | 15 |
| 2000 | 50 | 50 | 50 | 43 | 38 | 33 | 30 | 27 | 25 | 23 | 21 | 20 | 19 | 16 |
| 1900 | 50 | 50 | 50 | 45 | 39 | 35 | 32 | 29 | 26 | 24 | 23 | 21 | 18 | 17 |
| 1800 | 50 | 50 | 50 | 48 | 42 | 37 | 33 | 30 | 28 | 26 | 24 | 20 | 19 | 18 |
| 1700 | 50 | 50 | 50 | 50 | 44 | 39 | 35 | 32 | 29 | 27 | 23 | 21 | 20 | 19 |
| 1600 | 50 | 50 | 50 | 50 | 47 | 42 | 38 | 34 | 31 | 26 | 24 | 23 | 21 | 17 |
| 1500 | 50 | 50 | 50 | 50 | 50 | 44 | 40 | 36 | 33 | 28 | 26 | 24 | 19 | 14 |
| 1400 | 50 | 50 | 50 | 50 | 50 | 48 | 43 | 39 | 32 | 30 | 28 | 21 | 16 | 15 |
| 1300 | 50 | 50 | 50 | 50 | 50 | 50 | 46 | 38 | 35 | 32 | 25 | 18 | 17 | 11 |
| 1200 | 50 | 50 | 50 | 50 | 50 | 50 | 45 | 41 | 38 | 23 | 21 | 20 | 13 | 6 |
| 1100 | 50 | 50 | 50 | 50 | 50 | 50 | 49 | 45 | 27 | 25 | 23 | 15 | 6 | N.D. |
| 1000 | 50 | 50 | 50 | 50 | 50 | 50 | 50 | 33 | 30 | 28 | 17 | 7 | N.D. | N.D. |
| 900 | 50 | 50 | 50 | 50 | 50 | 50 | 40 | 36 | 22 | 10 | N.D. | N.D. | N.D. | N.D. |
| 800 | 50 | 50 | 50 | 50 | 50 | 50 | 45 | 27 | 11 | N.D. | N.D. | N.D. | N.D. | N.D. |
| 700 | 50 | 50 | 50 | 50 | 50 | 50 | 17 | N.D. | N.D. | N.D. | N.D. | N.D. | N.D. | N.D. |
| 600 | 50 | 50 | 50 | 50 | 50 | 19 | N.D. | N.D. | N.D. | N.D. | N.D. | N.D. | N.D. | N.D. |
| 500 | 50 | 50 | 50 | 50 | N.D. | N.D. | N.D. | N.D. | N.D. | N.D. | N.D. | N.D. | N.D. | N.D. |
| H \ L | 470 | 500 | 600 | 700 | 800 | 900 | 1000 | 1100 | 1200 | 1300 | 1400 | 1500 | 1600 | 1700 |



* realizzabile solo con il sostegno 3310.50 | only with sash support 3310.50