



TOP RAPID

CERNIERA AD AGGANCIO RAPIDO



Cerniera ad aggancio rapido | Fast mounting hinge
Paumelle a accrochage rapide | Bisagra de agarre rápido



Cerniera in alluminio estruso, boccole in nylon, perno e viti di serraggio M5 TSC CR in acciaio inox. TOP RAPID + Cerniera preassemblata in versione DX e SX.



Hinge in extruded aluminum, nylon bushing, stainless steel pin and M5 TSC CR tightening screws. TOP RAPID + Pre-assembled hinge in right-hand and left-hand versions.



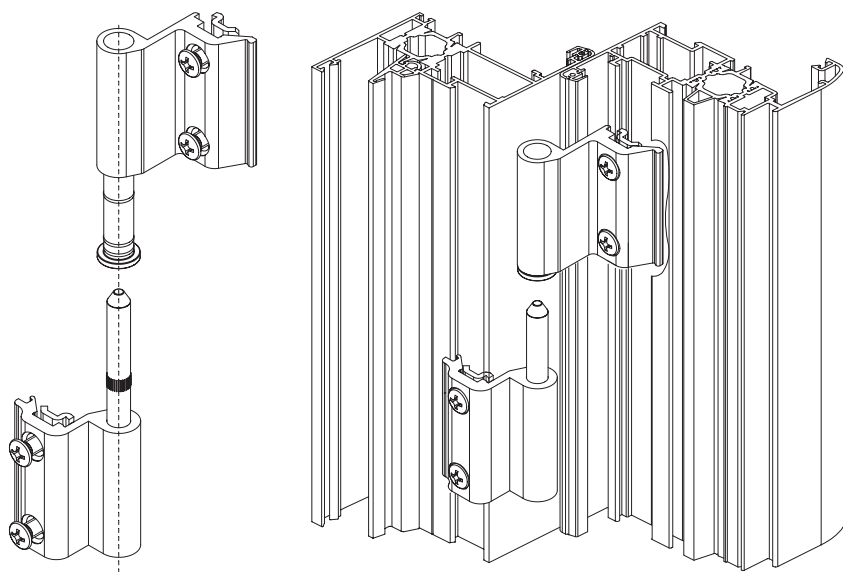
Paumelle en aluminium extrudé, bagues en nylon, pivot et vis de serrage M5 TSC CR en acier inox. TOP RAPID + Paumelle pré assemblée en version droite et gauche.



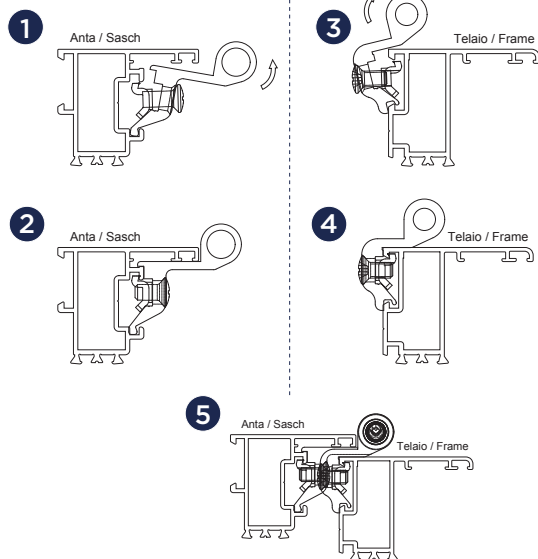
Bisagra de aluminio extruido, casquillos de nylon, pernio y tornillos de ajuste M5 TSC CR de acero inox. TOP RAPID + Bisagra pre-ensamblada en versión Derecha e Izquierda.



ART.	TOP RAPID 9XXX.3 .33 .6 .36				TOP RAPID + 9XXX.23X .233X				TOP RAPID + 9XXX.25X .253X			
Imballo Package Conditionnement Embalaje	50 PZ				50 PZ				25 PZ			
Finiture disponibili Available finishes Finitions disponibles Acabados disponibles	1	2	3	4	1	2	3	4	1	2	3	4



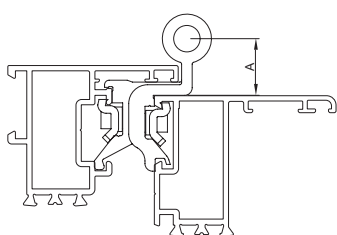
MONTAGGIO | ASSEMBLING



TOP RAPID			
ART.	ART.		ART.
9XXX.3	9XXX.6		9XXX.36
9XXX.33	9XXX.36		9XXX.36

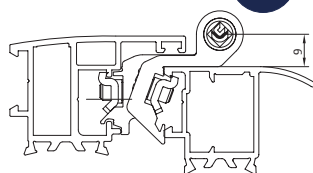
TOP RAPID +			
ART.	ART.		ART.
9XXX.23D 9XXX.25D	9XXX.23S 9XXX.25S		9XXX.253S
9XXX.233D 9XXX.253D	9XXX.233S 9XXX.253S		9XXX.253S

TOP RAPID	TOP RAPID +	TOP RAPID 3	A	NODO SECTION
9127.3	9127.23	9127.6	19	A12
9129.3	-----	9129.6	19	B13
9131.3	9131.23	9131.6	7,8	A11
9133.3	9133.23	9133.6	14,8	A12-B08
9141.3	9141.23	9141.6	8,8	A05-A06
9211.3	9211.23	9211.6	9	A01-A02
9212.3	9212.23	9212.6	9	A03-A04-A07
9213.33	9213.233	9213.36	17	A01-A02-B03
9217.33	-----	-----	18	A01-A02
9226.3	9226.23	9226.6	15	B01-B02
9227.3	9227.23	9227.6	18,5	A01-A02-B01-B02
9235.3	-----	9235.6	7,5	A13
9242.3	-----	9242.6	14	A13
9331.3	9331.23	9331.6	7,8	A10
9337.3	9337.23	9337.6	16,5	B07
9353.3	9353.23	9353.6	16,5	A17
9411.3	-----	9411.6	14	A15
9412.3	-----	9412.6	16,3	A14
9431.3	9431.23	9431.6	7,3	A14-A16
9616.3	9616.23	9616.6	7,3	A08
9621.33	-----	9621.36	7,3	A08-A23
9626.3	-----	9626.6	15	B04
9627.33	-----	9627.36	31,7	B04
9630.3	9630.23	9630.6	7,3	A09
9632.3	9632.23	9632.6	19	A08-A23
9640.3	-----	-----	19	B04



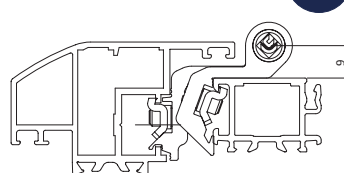
Art. 9203.33

NEW



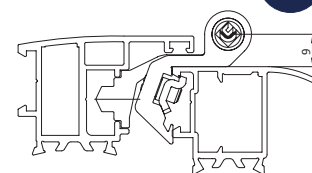
Art. 9204.33

NEW



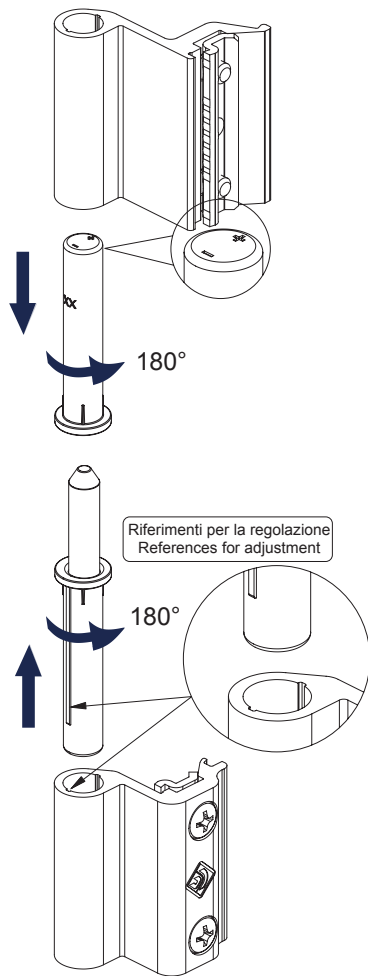
Art. 9205.33

NEW

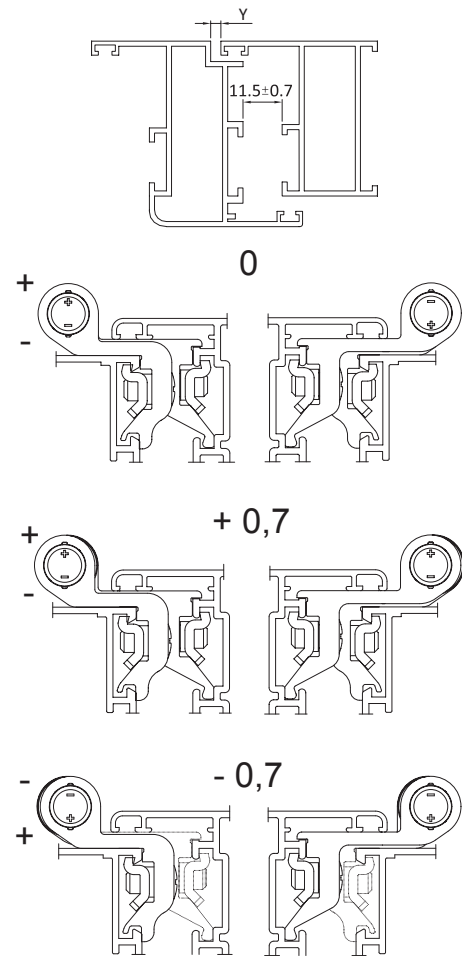


TOP RAPID	TOP RAPID +	TOP RAPID 3	A	NODO SECTION
9203.33	-----	-----	9	A28
9204.33	-----	-----	9	A29
9205.33	-----	-----	9	A28
9201.3	-----	-----	9	A01 - A02
9202.3	-----	-----	9	A03 - A04 - A07

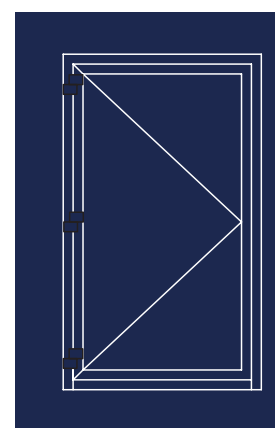
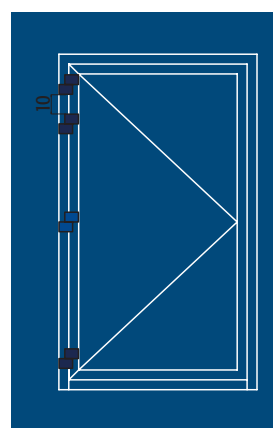
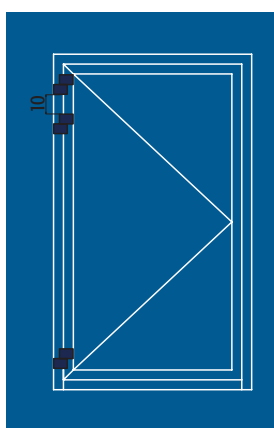
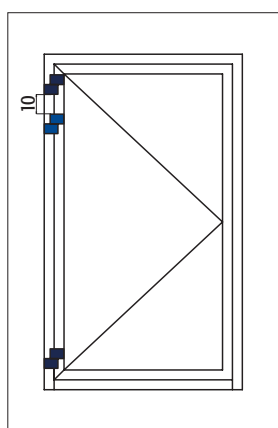
REGOLAZIONI | ADJUSTMENTS



REGOLAZIONI IN FUGA
INTER SPACE ADJUSTMENTS



H	2800	100%	100%	100%	100%	100%	100%	100%	100%	100%
	2700	100%	100%	100%	100%	100%	100%	100%	100%	100%
	2600	100%	100%	100%	100%	100%	100%	100%	100%	100%
	2500	100%	100%	100%	100%	100%	100%	100%	100%	100%
	2400	100%	100%	100%	100%	100%	100%	100%	100%	100%
	2300	100%	100%	100%	100%	100%	100%	100%	100%	100%
	2200	100%	100%	100%	100%	100%	100%	100%	100%	97%
	2100	100%	100%	100%	100%	100%	100%	100%	100%	90%
	2000	100%	100%	100%	100%	100%	100%	100%	94%	83%
	1900	100%	100%	100%	100%	100%	100%	98%	86%	76%
	1800	100%	100%	100%	100%	100%	100%	90%	78%	69%
	1700	100%	100%	100%	100%	100%	95%	82%	71%	61%
	1600	100%	100%	100%	100%	100%	85%	73%	63%	54%
	1500	100%	100%	100%	100%	90%	76%	65%	55%	N.D.
	1400	100%	100%	100%	96%	80%	67%	57%	N.D.	N.D.
1300	100%	100%	100%	84%	70%	58%	N.D.	N.D.	N.D.	
1200	100%	100%	90%	73%	60%	N.D.	N.D.	N.D.	N.D.	
1100	100%	97%	78%	62%	50%	N.D.	N.D.	N.D.	N.D.	
1000	100%	83%	65%	51%	N.D.	N.D.	N.D.	N.D.	N.D.	
		600	700	800	900	1000	1100	1200	1300	1400
		L								



Esempio | 1. Dim. LxH (WxH) 1200x2200 = 100% Portata 2 cerniere (Load Capacity 2 hinges)
2. Dim. LxH (WxH) 1200x2300 = 100% Portata 3 cerniere (Load Capacity 3 hinges)
3. Dim. LxH (WxH) 1400x2800 = 100% Portata 4 cerniere (Load Capacity 4 hinges)

I diagrammi hanno validità per spessore profili (Load charts is for profiles thickness) ≥ a 1,5 mm

ART.	PORTATA LOAD CAPACITY
	100% = 80 Kg
	100% = 100 Kg