



INCONTRO SINGOLO

Incontro singolo | One-rod junction
Gache simple | Cerradero pletina individual



Corpo in nylon;
vite M5 TSC CR e
piastrina a a camma
in acciaio inox.



Nylon body; stainless
steel M5 TSC CR
screw and cam plate.

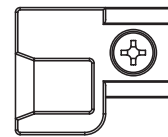
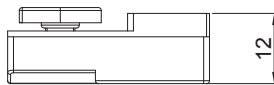
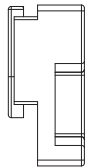
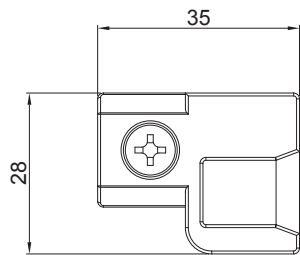


Corps en nylon; vis
M5 TSC CR et plaque
à came en acier inox.

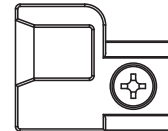


Cuerpo de nylon;
tornillo M5 TSC CR y
placa de acero inox.

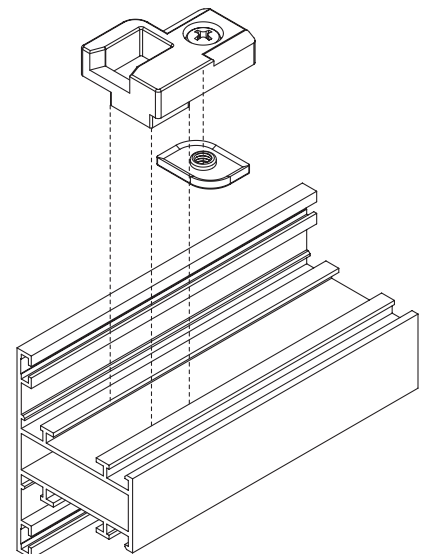
ART.	4216.5 4216.6			
Imballo Package Conditionnement Embalaje	100 PZ			
Finiture disponibili Available finishes Finitions disponibles Acabados disponibles	1	2	3	4



Art. 4216.5



Art. 4216.6



ART.	NODO SECTION
4216.5	A11 - A12 - B08
4216.6	A11 - A12 - B08