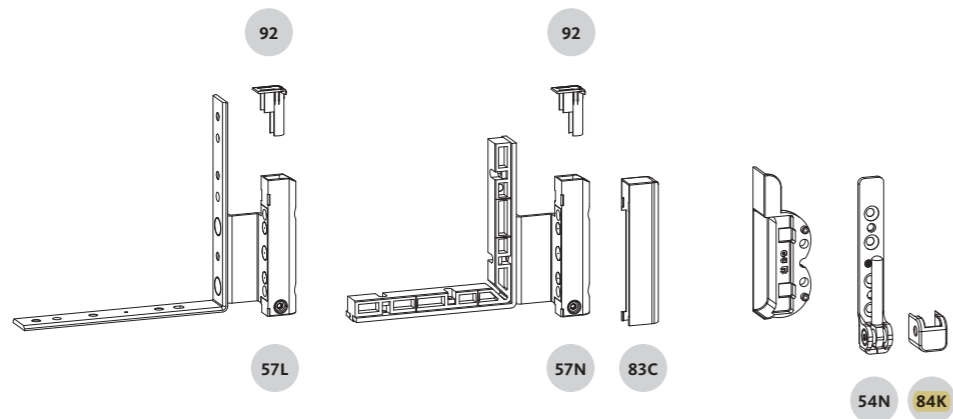
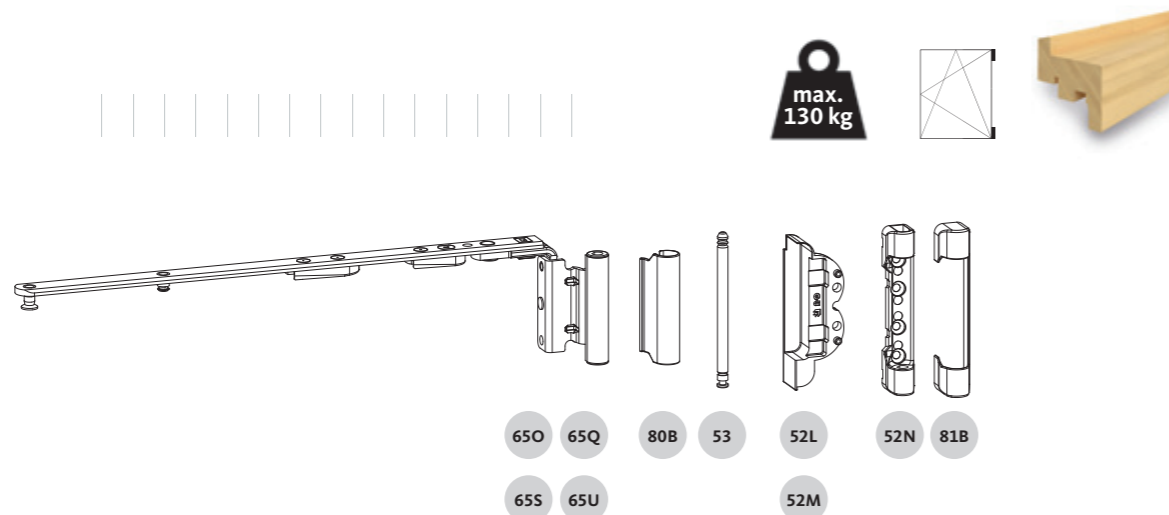


# UNI-JET M6/4 – Tilt&Turn / Tilt-First sash

Max. sash weight 130 kg



### Tested hardware load-bearing capacity

- Max. 130 kg see application diagram 0-45559
- Installation drawing: 0-46733

### Order example

Sash overlap  
15 or 18  
6-39153-□□-L/R-1

# UNI-JET M6/4 – Tilt&Turn / Tilt-First sash

Max. sash weight 130 kg



## Upper hinge-side

Tilt&Turn stay-arm, AX 9 mm				
Item	SRW	Length	PU	Order number
65O	280-500	230	10	6-39153-□□-L/R-1
	501-750	314		6-39154-□□-L/R-1
	751-1200	455		6-39155-□□-L/R-1
	1201-1600	615		6-39156-□□-L/R-1

Tilt&Turn stay-arm, AX 13 mm				
Item	SRW	Length	PU	Order number
65Q	280-500	230	10	6-39157-□□-L/R-1
	501-750	314		6-39158-□□-L/R-1
	751-1200	455		6-39159-□□-L/R-1
	1201-1600	615		6-39160-□□-L/R-1

Tilt-First stay-arm, AX 9 mm				
Item	SRW	Length	PU	Order number
65S	280-500	230	10	6-39169-□□-L/R-1
	501-750	314		6-39170-□□-L/R-1
	751-1200	455		6-39171-□□-L/R-1
	1201-1600	615		6-39172-□□-L/R-1

Tilt-First stay-arm, AX 13 mm				
Item	SRW	Length	PU	Order number
65U	280-500	230	10	6-39173-□□-L/R-1
	501-750	314		6-39174-□□-L/R-1
	751-1200	455		6-39175-□□-L/R-1
	1201-1600	615		6-39176-□□-L/R-1

Cover cap for stay-hinge			
Item	Colours	PU	Order number
80B	See page 356	100	9-47796-01-0-□

Stay-bearing pin			
Item		PU	Order number
53		100	9-48898-00-0-1

Top 2 x Ø 34 mm drill-hole part M6/4			
Item	System	PU	Order number
52L	4/15-8	100	9-39941-15-L/R-1
	4/18-9		9-39941-18-L/R-1
	4/18-13		9-44833-18-L/R-1

Top 2 x Ø 34 mm drill-hole part M6/4i			
Item	System	PU	Order number
52M	4/15-8	100	9-39383-15-L/R-1
	4/18-9		9-39383-18-L/R-1

Stay-bearing for 2 x Ø 34 mm drill-hole part M6/4, M6/4i			
Item	System	PU	Order number
52N	4/15-8	100	6-36026-00-0-1
	4/18-9		
	4/18-13		

Cover cap for stay-bearing			
Item	Colours	PU	Order number
81B	See page 357	100	9-47334-01-0-□

## Lower hinge-side

Rebate corner-hinge – without hardware groove, without turn-brake			
Item	System	PU	Order number
57L	4/15-8	50	6-36851-15-L/R-1
	4/18-9+13		6-36851-18-L/R-1

Rebate corner-hinge – with hardware groove, without turn-brake			
Item	System	PU	Order number
57N	4/15-8	50	6-36118-15-L/R-1
	4/18-9		6-36118-18-L/R-1
	4/18-13		6-36120-18-L/R-1

Plug			
Item	Colours	PU	Order number
92	See page 360	100	9-47426-00-0-□

Cover cap for rebate corner-hinge			
Item	Colours	PU	Order number
83C	See page 359	100	9-47782-00-L/R-□

Bottom 2 x Ø 34 mm drill-hole M6/4			
Item	System	PU	Order number
54P	4/15-8	100	9-39942-15-L/R-1
	4/18-9		9-39942-18-L/R-1
	4/18-13		9-44832-18-L/R-1

Bottom 2 x Ø 34 mm drill-hole part M6/4i			
Item	System	PU	Order number
54Q	4/15-8	100	9-39384-15-L/R-1
	4/18-9		9-39384-18-L/R-1

Pivot-rest M6/130			
Item	System	PU	Order number
54N	4/15-8	100	6-36875-01-0-1
	4/18-9		
	4/18-13		

Cover cap for pivot-rest			
Item	Colours	PU	Order number
84K	See page 358	100	9-42683-00-0-□

### General information

- For Tilt&Turn: with T&T additional stay (8-00734-00-0-1).  
Sash weight < 100 kg: SRW 1301-1600, Sash weight > 100 kg: SRW 1201-1600
- For Tilt-First: with TF additional stay (G-45995-00-0-1).  
Sash weight < 100 kg: SRW 1301-1600, Sash weight > 100 kg: SRW 1201-1600