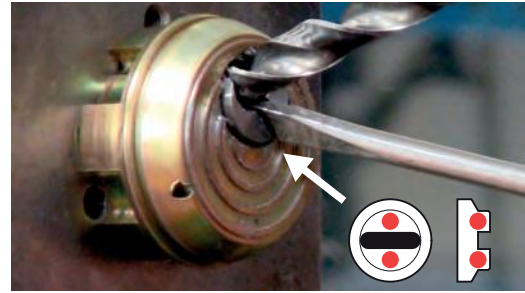
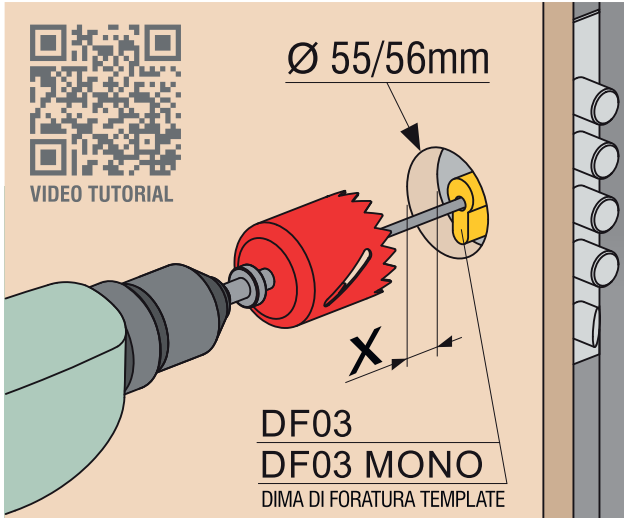




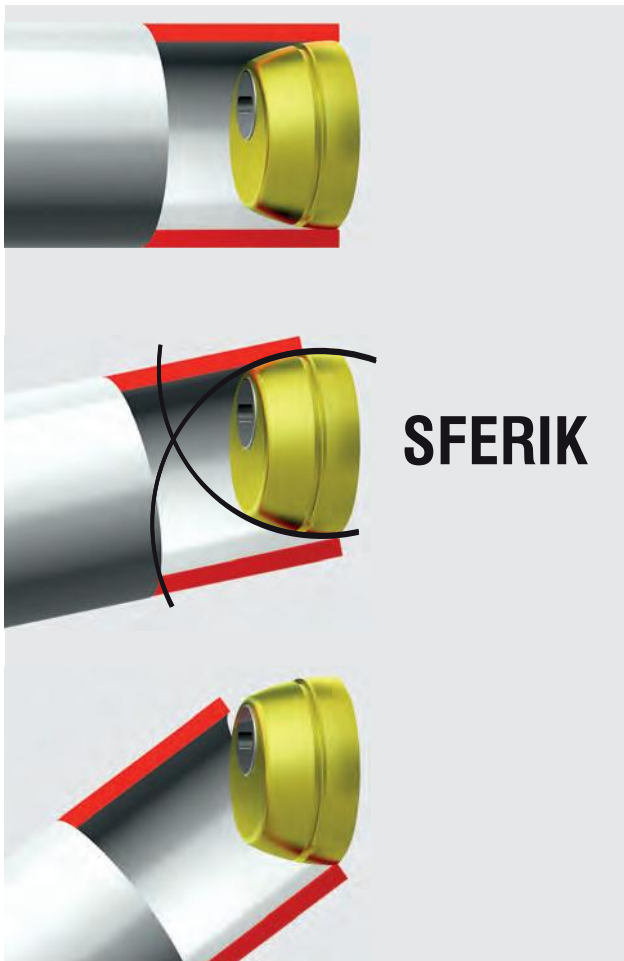
RWS ROK SFERIK



VIDEO:



VIDEO:



VIDEO:



VIDEO:



VIDEO:





RWS
ROK SFERIK

PAT. PEND.



GRADO 4



FLEX SYSTEM

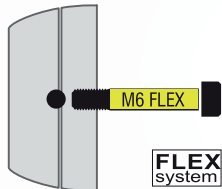


5 VOLTE PIU' RESISTENTE DELLE VITI TRADIZIONALI 12.9

VIDEO TEST



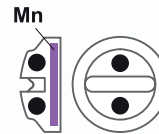
VIDEO:



FLEX system



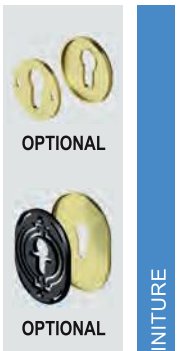
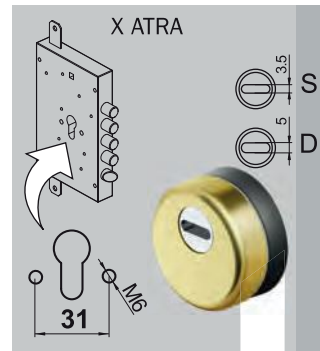
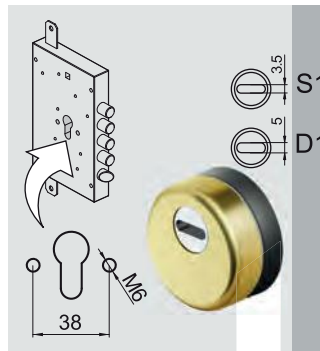
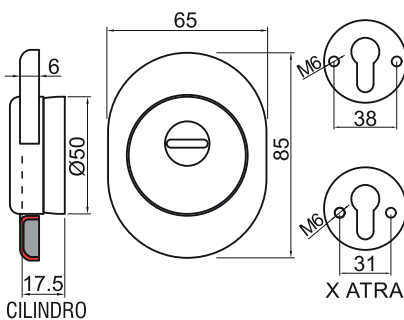
CARBIDE



Mn HSS



ANTISKETTING system



RWS16 25 .. P

RWS68 25 .. P

RWS16 8 25
ESEMPIO CODICE
ESEMPIO DI CODICE PER VITI M8
EXAMPLE OF CODE FOR FIXING M8

- Cromo lucido
- Bright Chrome
- Cromo satinato
- Satin Chrome
- Bronzo
- Bronze
- PVD Ottone
- PVD Brass
- Bronzo satinato
- Satin Bronze
- Inox satinato
- Satin S.Steel
- Nero
- Black

FINITURE

ESEMPIO CODICE / EXAMPLE CODE:

XXXXX

H

D1/S1

C T 2

RWS ROK

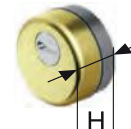


PAT. PEND.

Ø50



H	X ATRA
20	ZA3649 ZA3650
25	ZA3540 ZA3538
35	ZA3746
45	ZA3747



H	X ATRA
20	ZA3649..ZA3650..
25	ZA3540..ZA3538..
35	ZA3746..
45	ZA3747..

FINITURE FINISHES

A0397..



- C Cromo lucido / Bright Chrome
- T Cromo satinato / Satin Chrome
- B Bronzo / Bronze
- 2 PVD Ottone / PVD Brass
- TT Ottone satinato / Satin Brass
- BS Bronzo satinato / Satin Bronze
- IT Inox satinato / Satin S.Steel
- N Nero / Black
- L Ottone lucido / Bright Brass



RWS ROK



PAT. PEND.

Ø50



H	X ATRA
25	ZA3696 ZA3697



H	X ATRA
25	ZA3696..ZA3697..

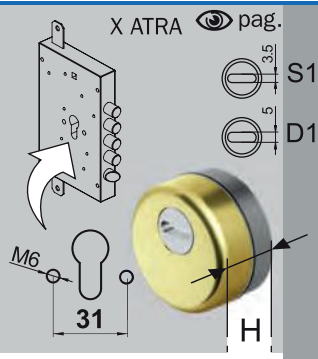
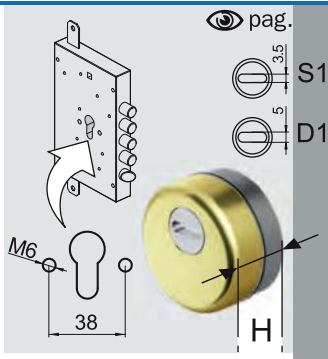
FINITURE FINISHES

A0397..



- C Cromo lucido / Bright Chrome
- T Cromo satinato / Satin Chrome
- B Bronzo / Bronze
- 2 PVD Ottone / PVD Brass
- TT Ottone satinato / Satin Brass
- BS Bronzo satinato / Satin Bronze
- IT Inox satinato / Satin S.Steel
- N Nero / Black
- L Ottone lucido / Bright Brass





- FINITURE FINISHES**
- (C) Cromo lucido / Bright Chrome
 - (T) Cromo satinato / Satin Chrome
 - (B) Bronzo / Bronze
 - (2) PVD Ottone / PVD Brass
 - (TT) Ottone satinato / Satin Brass
 - (BS) Bronzo satinato / Satin Bronze
 - (IT) Inox satinato / Satin S.Steel
 - (N) Nero / Black
 - (L) Ottone lucido / Bright Brass

RWS16 20 .. P
 RWS16 25 .. P
 RWS16 35 .. P
 RWS16 45 .. P

RWS68 20 .. P
 RWS68 25 .. P

RWS16 8 25..
 ESEMPIO CODICE

RWS16W 20 .. P
 RWS16W 25 .. P
 RWS16W 35 .. P
 RWS16W 45 .. P

RWS68W 20 .. P
 RWS68W 25 .. P

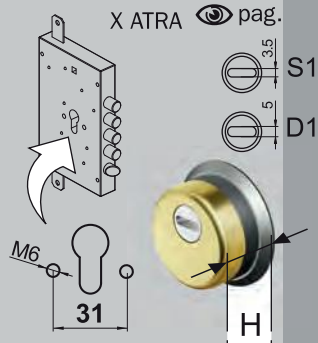
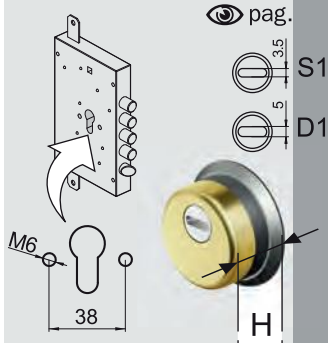
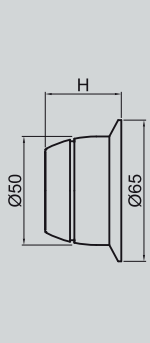
ESEMPIO DI CODICE PER VITI M8
 EXAMPLE OF CODE FOR FIXING M8



RWS16K 20 .. P
 RWS16K 25 .. P
 RWS16K 35 .. P
 RWS16K 45 .. P

RWS68K 20 .. P
 RWS68K 25 .. P

- FINITURE FINISHES**
- (C) Cromo lucido / Bright Chrome
 - (T) Cromo satinato / Satin Chrome
 - (B) Bronzo / Bronze
 - (2) PVD Ottone / PVD Brass
 - (BS) Bronzo satinato / Satin Bronze
 - (IT) Inox satinato / Satin S.Steel
 - (N) Nero / Black
 - (L) Ottone lucido / Bright Brass



- FINITURE FINISHES**
- (C) Cromo lucido / Bright Chrome
 - (T) Cromo satinato / Satin Chrome
 - (B) Bronzo / Bronze
 - (2) PVD Ottone / PVD Brass
 - (TT) Ottone satinato / Satin Brass
 - (BS) Bronzo satinato / Satin Bronze
 - (IT) Inox satinato / Satin S.Steel
 - (N) Nero / Black
 - (L) Ottone lucido / Bright Brass

RWS42 25 .. P

RWS48 25 .. P

RWS42 8 25..
 ESEMPIO CODICE

RWS42W 25 .. P

RWS48W 25 .. P

ESEMPIO DI CODICE PER VITI M8
 EXAMPLE OF CODE FOR FIXING M8



RWS42K 25 .. P

RWS48K 25 .. P

- FINITURE FINISHES**
- (C) Cromo lucido / Bright Chrome
 - (T) Cromo satinato / Satin Chrome
 - (B) Bronzo / Bronze
 - (2) PVD Ottone / PVD Brass
 - (BS) Bronzo satinato / Satin Bronze
 - (IT) Inox satinato / Satin S.Steel
 - (N) Nero / Black
 - (L) Ottone lucido / Bright Brass