



TEX

CATENACCIO A LEVA PER PORTE



Catenaccio a leva per porte | Lever bolt for doors
Verrou a levier pour portes | Pasador de leva para puertas



Corpo in alluminio estruso; leva di manovra in zama cromata; supporto e bloccetto terminale in zama; perno di chiusura e viti autofilettanti in acciaio inox. Tappi copriviti in nylon.



Body in extruded aluminum; chromed zamak control lever; zamak support and end block; stainless steel locking pin and self-tapping screws. nylon screws cover.



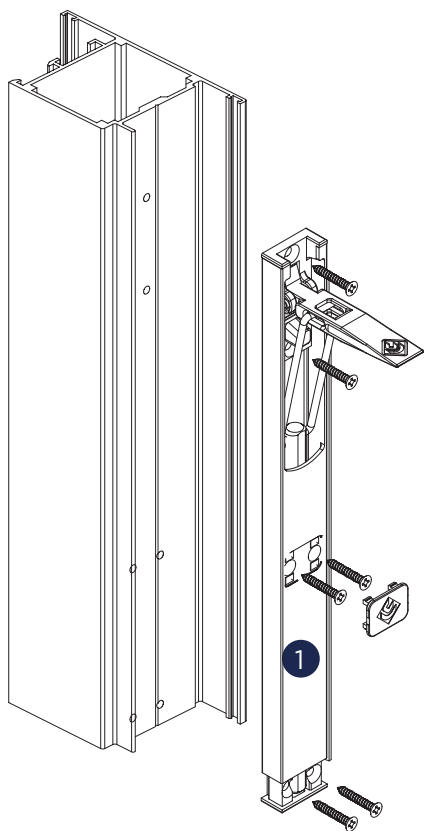
Corps en aluminium extrudé; levier de manoeuvre en zamak chromée; bloc embout de tringle et support en zamak; pion de fermeture et vis autotaraudeuses en acier inox. Couverture de vis en nylon.



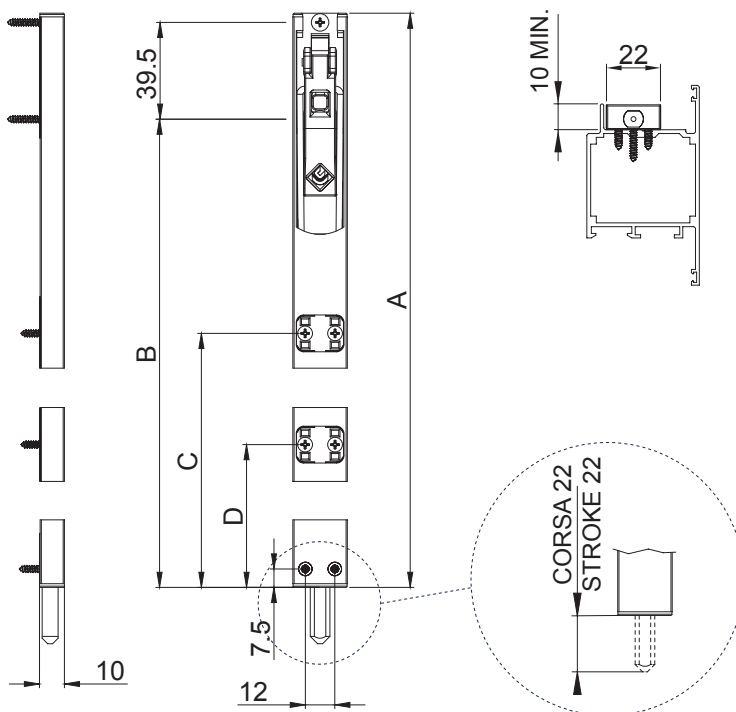
Cuerpo de aluminio extruido; leva de maniobra de zamac cromado; bloque terminal y soporte de zamac; pernio de cierre y tornillos autorroscantes de acero inox. Cobertura de tornillos de nylon.



ART.	4501 4502 4503 4504				4204			
Imballo Package Conditionnement Embalaje	20 PZ				100 PZ			
Finiture disponibili Available finishes Finitions disponibles Acabados disponibles	1	2	3	4	1	2	3	4



1 450X



ART.	A	B	C	D	E
4501	220	177	89.5	---	89.5
4502	450	407	319.5	---	89.5
4503	650	607	519.5	156	89.5
4504	140	97	---	---	89.5

