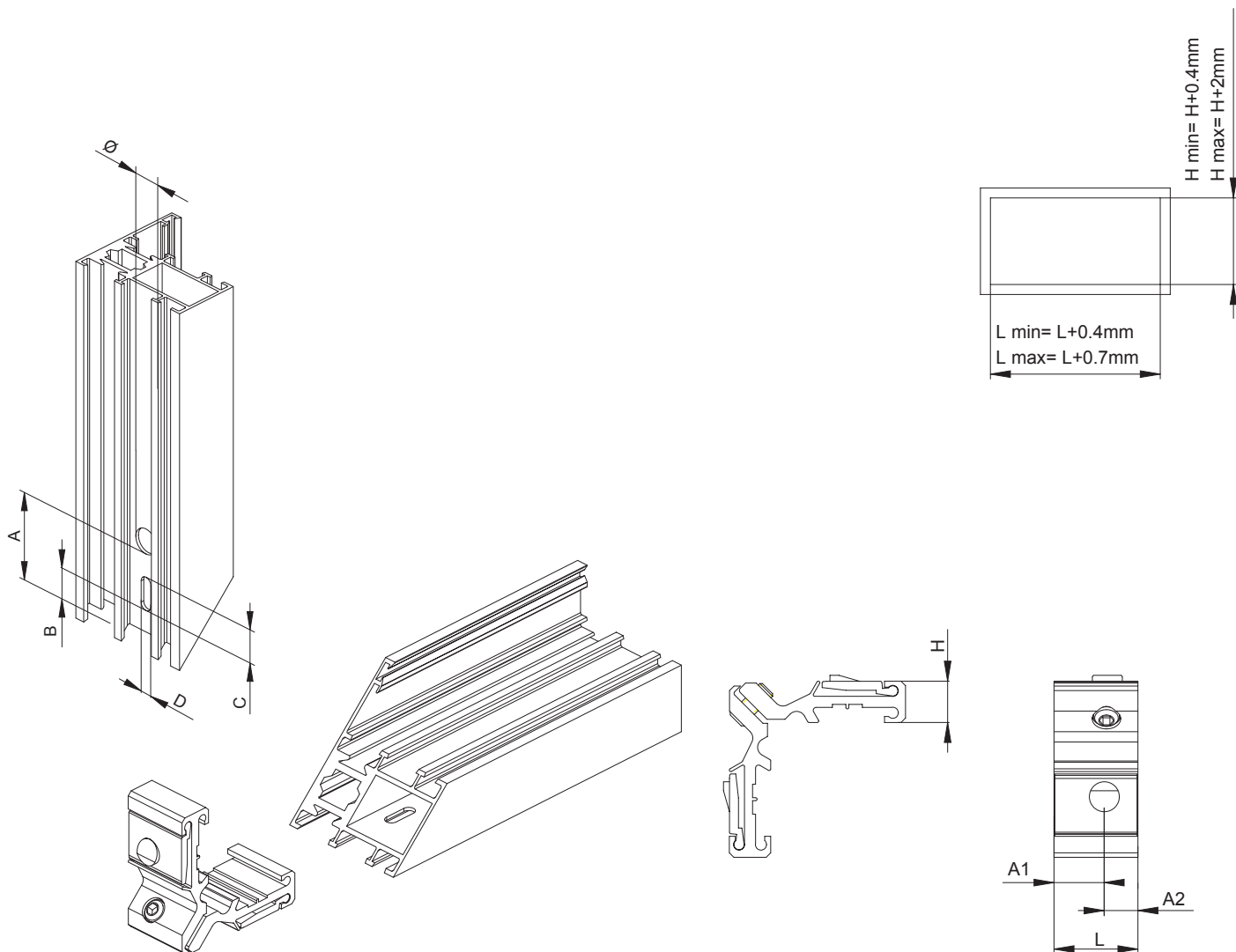


SQUADRETTE IN ALLUMINIO ESTRUSO

EXTRUDED ALUMINIUM CORNERS
 EQUERRE EN ALUMINIUM EXTRUDE
 ESCUADRAS EN ACERO EXTRUIDO

ART.	L	H	Ø	A	B	C	D
0264	14	13.8	8	38	14	14	5
02511	15	8.5	10.5	32.8	10	11	6
0234	28	9.5	10.5	36.5	14.5	14	5
0235	36	9.5	10.5	37.8	15	14	5
0262	36	17.3	10.5	36.8	14	14	5
0268	45	13.8	10.5	36.8	14	14	5



ART.	L	H	Ø	A	B	C	D	A1	A2
0265	28	13.8	10.5	37.8	14	14	5	18	10