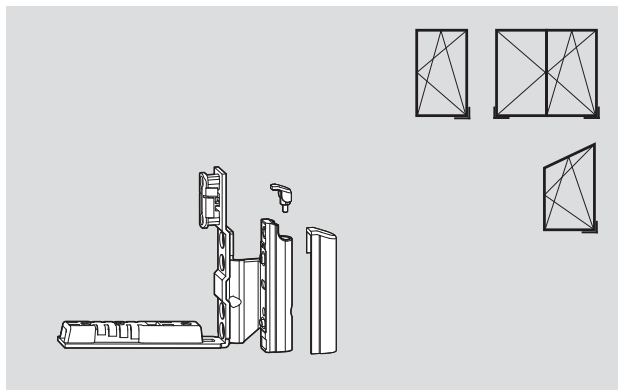
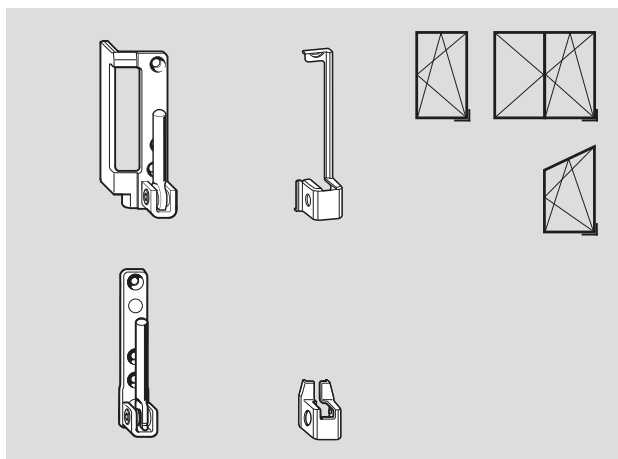


12 mm clearance
18 mm overlap width
9 mm hardware axis



Description	Material no.
Rebate corner hinge A, 12/18-9, with groove	L 447339
Height / gasket-compression adjustable	R 447340
Plug	490197



Pivot rest A, 12/18-9, sash weight 100 kg	L 261910
Laterally adjustable	R 261911
Pivot rest A 3/100, 12/18-9, sash weight 100 kg	230410
Laterally adjustable, 2 x Ø 3 mm supporting-pins	
For cover caps refer to the table below	

Description	Cover cap Rebate corner hinge A		Cover cap Pivot rest A Rebate stop		Cover cap Pivot rest A Supporting- pins	
		Material no.		Material no.		Material no.
R01.1 Silver	L	309943	L	264342		
	R	309944	R	264343		
R01.2 Nickel silver	L	491818	L	264356		
	R	491819	R	264357		
R01.3 Titanium-matt	L	309945	L	329193		
	R	309946	R	329194		
R03.1 Brass matt	L	642361	L	642359		
	R	642362	R	642360		
R03.2 Polished brass	L	318587	L	264348		231681
	R	318586	R	264349		
R04.3 Olive-brown	L	491822	L	264350		
	R	491823	R	264351		
R04.4 Black-brown	L	309949	L	264346		231680
	R	309950	R	264347		
R05.3 Medium bronze	L	491824	L	264362		
	R	491845	R	264363		
R05.5 Bronze	L	637890	L	637886		
	R	637891	R	637887		
R07.2 White	L	309951	L	264344		231679
	R	309952	R	264345		
Special colour	L	491848	L	264353		
	R	491849	R	264355		

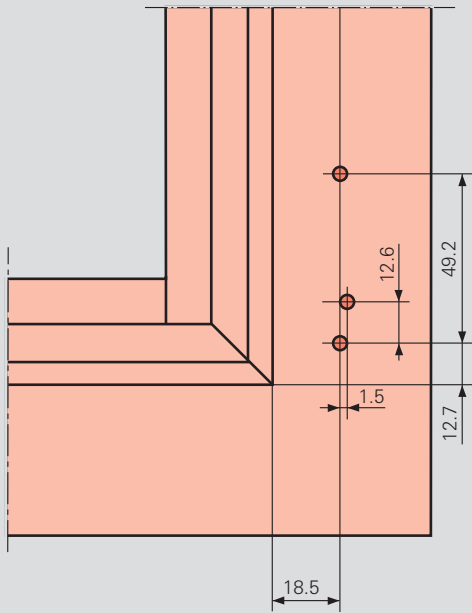
Corner hinge
Pivot rest

Rebate corner hinge / Pivot rest

Hinge side A

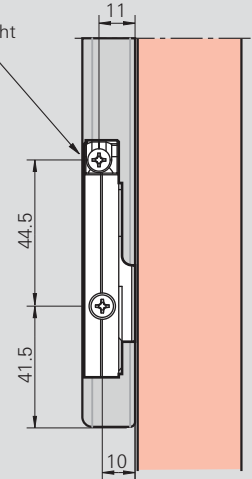
System 12/20-9

Drilling dimensions: pivot rest A

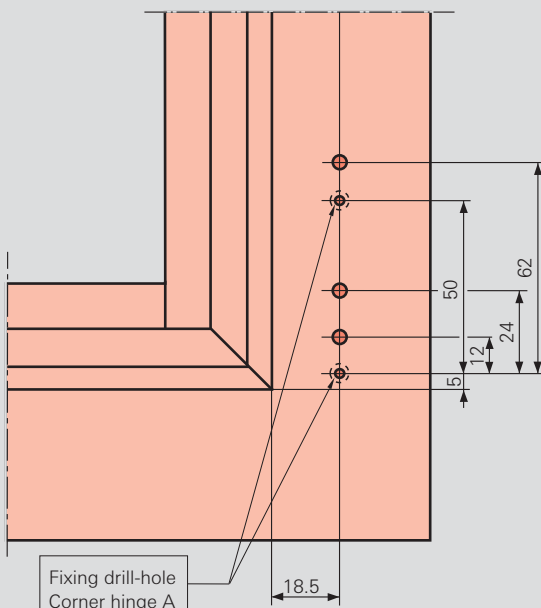


Corner hinge; overlap screw-fixing depiction

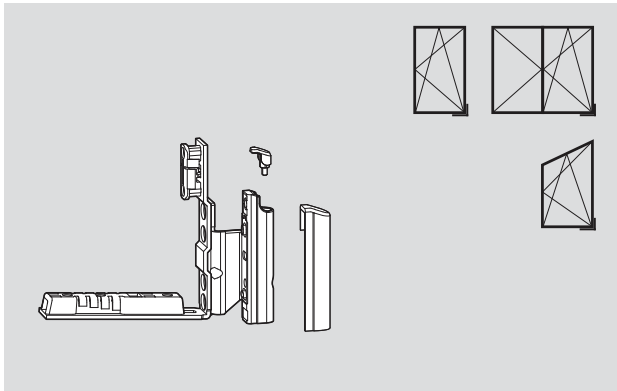
2. Screw
from 80 kg sash weight



Drilling dimensions: pivot rest A

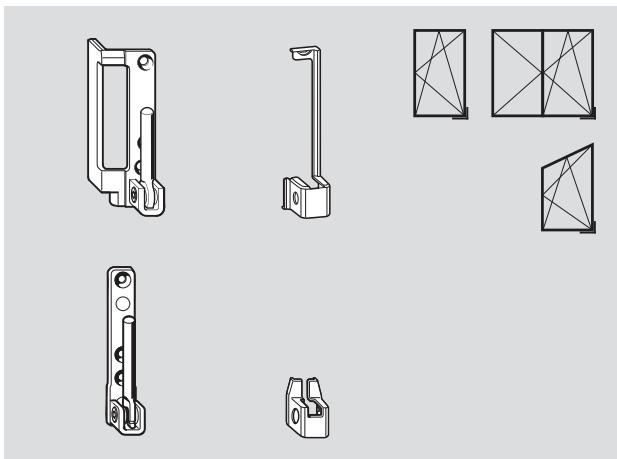


- Corner hinge A 3/100
- ⊖ Corner hinge A 7/100



12 mm clearance
20 mm overlap width
9 mm hardware axis

Description	Material no.
Rebate corner hinge A, 12/20-9, with groove	L 447347
Height / gasket-compression adjustable	R 447348
Rebate corner hinge A, 12/20-9 (not dep.)	L 447349
Height / gasket-compression adjustable	R 447350
Plug	490197



Pivot rest A, 12/20-9, sash weight 100 kg	L 262004
Laterally adjustable	R 262005
Pivot rest A 3/100, 12/20-9 (not dep.), sash weight 100 kg	230410
Laterally adjustable, 2 x Ø 3 mm supporting-pins	
For cover caps refer to the table below	

Description	Cover cap Rebate corner hinge A		Cover cap Pivot rest A Rebate stop		Cover cap Pivot rest A Supporting-pins	
	Material no.	Material no.	Material no.	Material no.	Material no.	Material no.
R01.1 Silver	L	309943	L	264342		
	R	309944	R	264343		
R01.2 Nickel silver	L	491818	L	264356		
	R	491819	R	264357		
R01.3 Titanium-matt	L	309945	L	329193		
	R	309946	R	329194		
R03.1 Brass matt	L	642361	L	642359		
	R	642362	R	642360		
R03.2 Polished brass	L	318587	L	264348		231681
	R	318586	R	264349		
R04.3 Olive-brown	L	491822	L	264350		
	R	491823	R	264351		
R04.4 Black-brown	L	309949	L	264346		231680
	R	309950	R	264347		
R05.3 Medium bronze	L	491824	L	264362		
	R	491845	R	264363		
R05.5 Bronze	L	637890	L	637886		
	R	637891	R	637887		
R07.2 White	L	309951	L	264344		231679
	R	309952	R	264345		
Special colour	L	491848	L	264353		
	R	491849	R	264355		

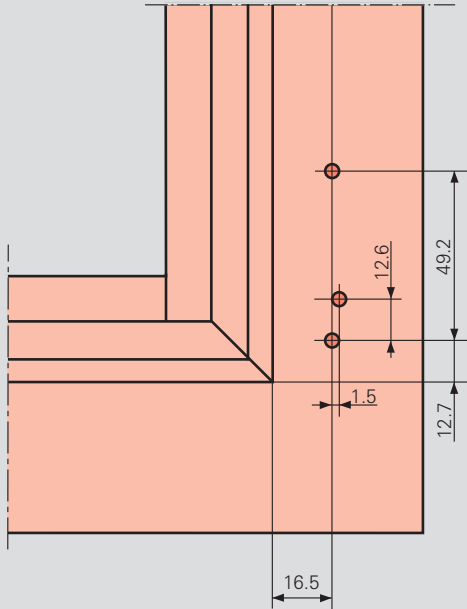
Corner hinge
Pivot rest

Rebate corner hinge / Pivot rest

Hinge side A

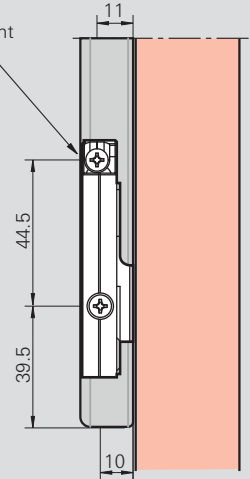
System 12/18-13

Drilling dimensions: pivot rest A

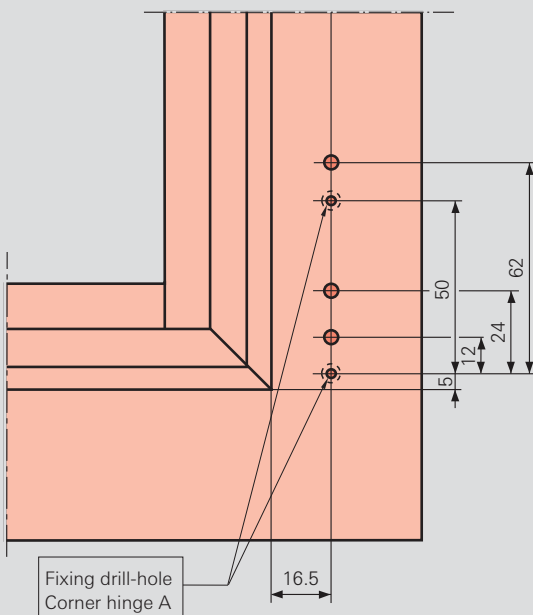


Corner hinge; overlap screw-fixing depiction

2. Screw from 80 kg sash weight



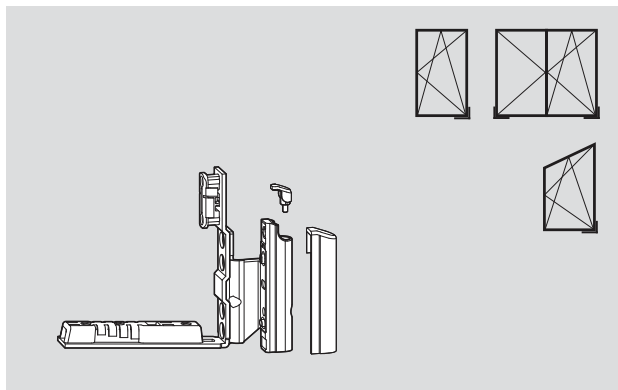
Drilling dimensions: pivot rest A



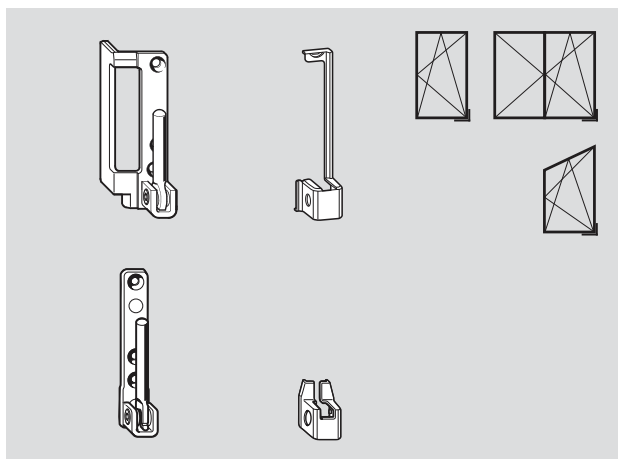
Fixing drill-hole
Corner hinge A

- Corner hinge A 3/100
- ⊕ Corner hinge A 7/100

12 mm clearance
18 mm overlap width
13 mm hardware axis



Description	Material no.
Rebate corner hinge A, 12/18-13, with groove	L 447353
Height / gasket-compression adjustable	R 447354
Plug	490197



Pivot rest A, 12/18-13, sash weight 100 kg	L 261910
Laterally adjustable	R 261911
Pivot rest A 3/100, 12/18-13, sash weight 100 kg	230410
Laterally adjustable, 2 x Ø 3 mm supporting-pins	
For cover caps refer to the table below	

Description	Cover cap Rebate corner hinge A		Cover cap Pivot rest A Rebate stop		Cover cap Pivot rest A Supporting- pins	
	L	R	L	R	L	R
R01.1 Silver	309943	309944	264342	264343		
R01.2 Nickel silver	491818	491819	264356	264357		
R01.3 Titanium-matt	309945	309946	329193	329194		
R03.1 Brass matt	642361	642362	642359	642360		
R03.2 Polished brass	318587	318586	264348	264349	231681	
R04.3 Olive-brown	491822	491823	264350	264351		
R04.4 Black-brown	309949	309950	264346	264347	231680	
R05.3 Medium bronze	491824	491845	264362	264363		
R05.5 Bronze	637890	637891	637886	637887		
R07.2 White	309951	309952	264344	264345	231679	
Special colour	491848	491849	264353	264355		

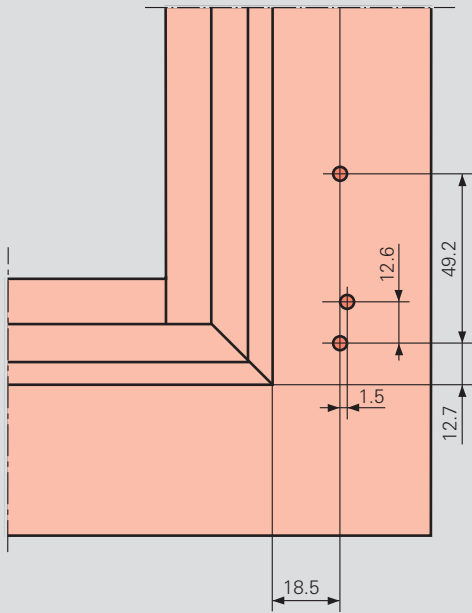
Corner hinge
Pivot rest

Rebate corner hinge / Pivot rest

Hinge side A

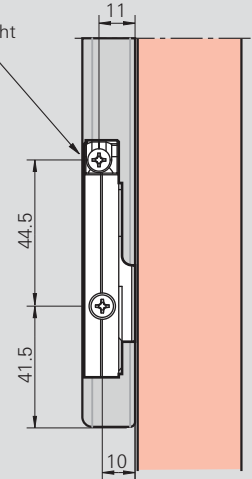
System 12/20-13

Drilling dimensions: pivot rest A

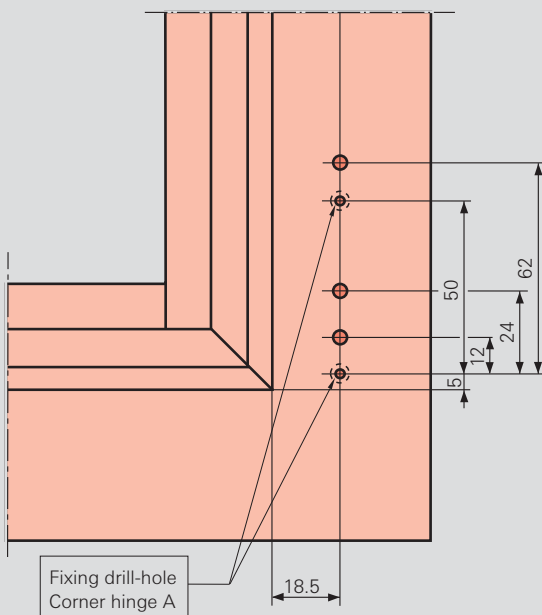


Corner hinge; overlap screw-fixing depiction

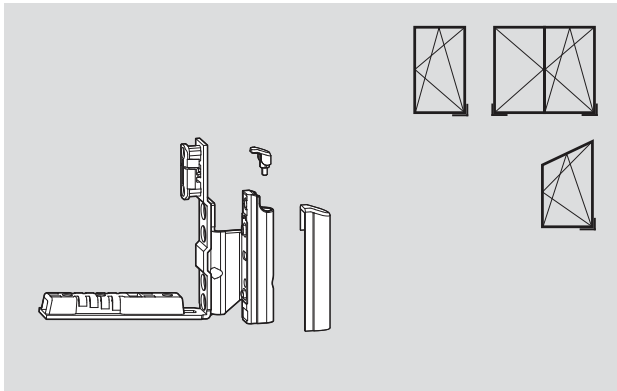
2. Screw
from 80 kg sash weight



Drilling dimensions: pivot rest A

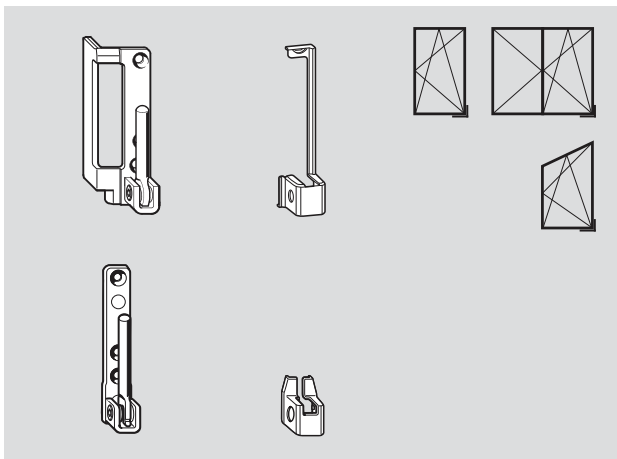


- Corner hinge A 3/100
- ⊖ Corner hinge A 7/100



12 mm clearance
20 mm overlap width
13 mm hardware axis

Description	Material no.
Rebate corner hinge A, 12/20-13, with groove	L 447357
Height / gasket-compression adjustable	R 447358
Plug	490197



Pivot rest A, 12/20-13, sash weight 100 kg	L 262004
Laterally adjustable	R 262005
Pivot rest A 3/100, 12/20-13 (not dep.), sash weight 100 kg	230410
Laterally adjustable, 2 x Ø 3 mm supporting-pins	
For cover caps refer to the table below	

Description	Cover cap Rebate corner hinge A		Cover cap Pivot rest A Rebate stop		Cover cap Pivot rest A Supporting- pins	
	Material no.	Material no.	Material no.	Material no.	Material no.	Material no.
R01.1 Silver	L	309943	L	264342		
	R	309944	R	264343		
R01.2 Nickel silver	L	491818	L	264356		
	R	491819	R	264357		
R01.3 Titanium-matt	L	309945	L	329193		
	R	309946	R	329194		
R03.1 Brass matt	L	642361	L	642359		
	R	642362	R	642360		
R03.2 Polished brass	L	318587	L	264348		231681
	R	318586	R	264349		
R04.3 Olive-brown	L	491822	L	264350		
	R	491823	R	264351		
R04.4 Black-brown	L	309949	L	264346		231680
	R	309950	R	264347		
R05.3 Medium bronze	L	491824	L	264362		
	R	491845	R	264363		
R05.5 Bronze	L	637890	L	637886		
	R	637891	R	637887		
R07.2 White	L	309951	L	264344		231679
	R	309952	R	264345		
Special colour	L	491848	L	264353		
	R	491849	R	264355		

Corner hinge
Pivot rest