



CERNIERA A PETTINE IN ALLUMINIO ESTRUSO



Cerniera a pettine in alluminio estruso | Comb hinge in extruded aluminium | Paumelle a peigne en aluminium extrudé | Bisagras de tres alas de aluminio extruido



Cerniera lato telaio e lato anta in alluminio estruso, piastrine in zama, boccole e tappini in nylon, viti e perno in acciaio inox.



Frame side and shutter side in extruded aluminium, zamak plates, nylon bushings and caps, stainless steel screws and pin.



Paumelle côté dormant et côté ouvrant en aluminium extrudé, plaques en zamak, bagues et bouchons en nylon, vis et pivot en acier inox.

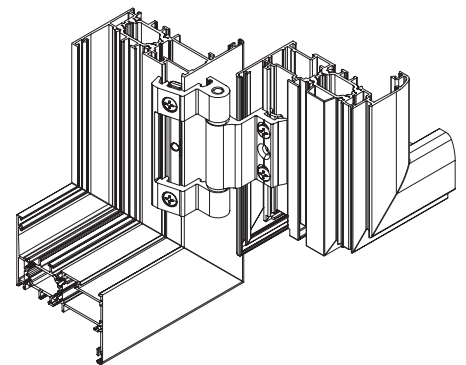
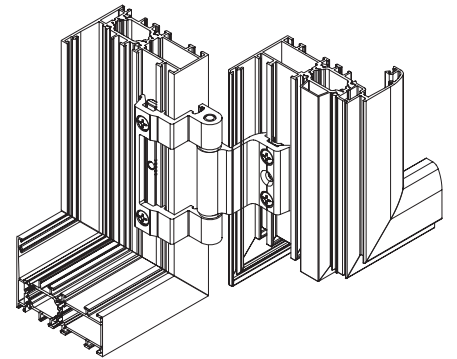
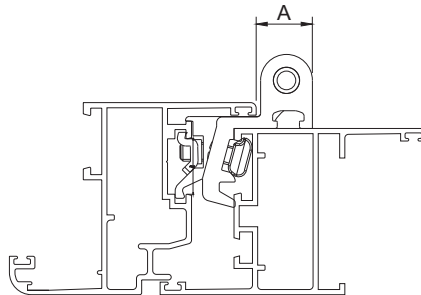
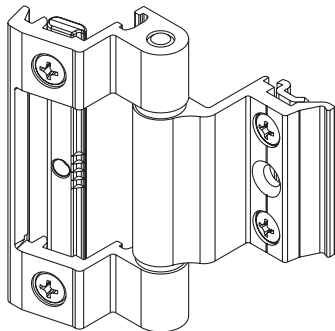


Bisagra del lado del marco y de la hoja de aluminio extruido, placas de zamak, casquillos y tapones de nylon, tornillos y pernio de acero inox.



ART.	TUTTI ALL TOUS TODOS
Imballo Package Conditionnement Embalaje	10 PZ
Finiture disponibili Available finishes Finitions disponibles Acabados disponibles	1 2 3 4

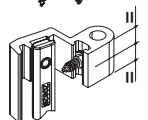
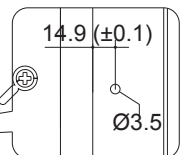
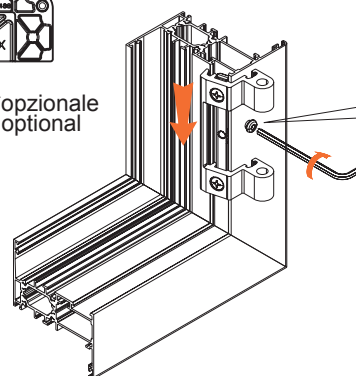
Art. 3420.71 | 3421.71



Dima / template
3400.50*



*opzionale
optional



DESCRIZIONE DESCRIPTION	ART	NODO SECTION	A
Cerniera a pettine in alluminio estruso Comb hinge in extruded aluminium	3420.71	A01 - A02 - A03 - A04 A05 - A06 - A07	15
Cerniera a pettine in alluminio estruso Comb hinge in extruded aluminium	3421.71	A08	15