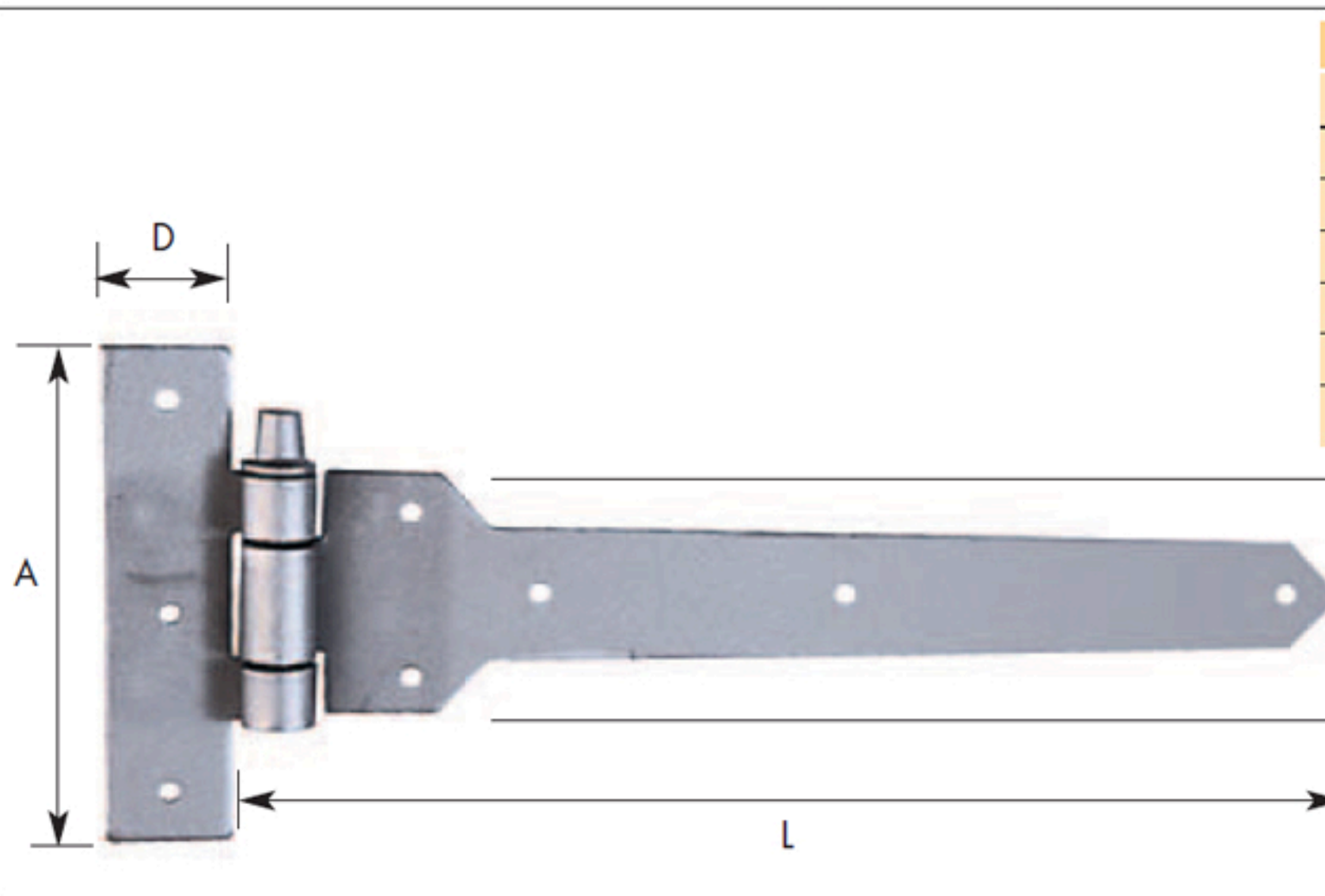



Art. 31

Asa a T / T Asa hinge



Dimensioni/Dimensions mm				
C	L	A	D	B
60	200	120	30	30
65	250	125	30	30
65	300	135	35	30
70	350	145	35	35
75	400	145	45	35
80	500*	170	50	40

 **12 Pz.** *500 mm = **6 Pz.**
12 Pcs. *500 mm = 6 Pcs.