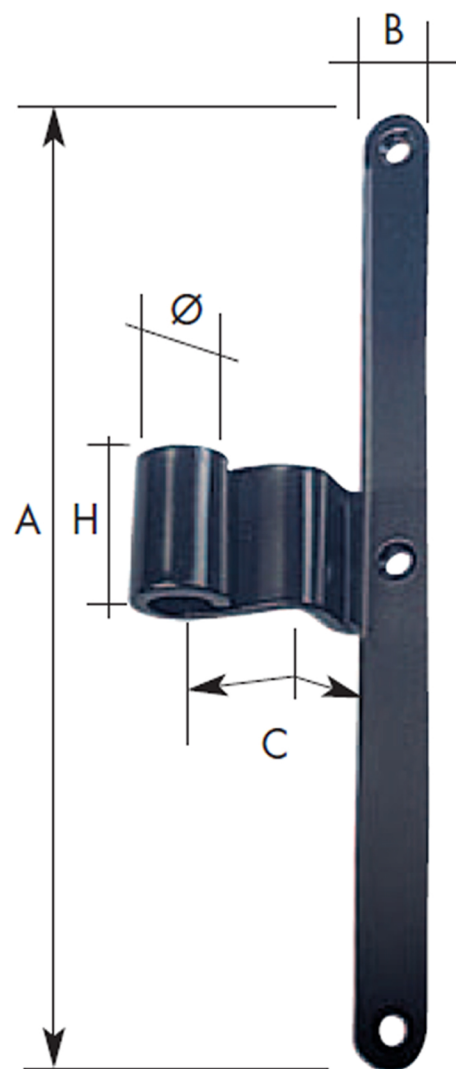
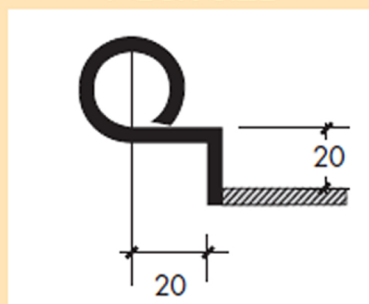


Centre


**MISURE COLLO**  
**NECK SIZE**


Dimensioni/Dimensions mm

**A RICHIESTA:** con foro sul collo per alluminio e PVC.

**Upon request:** with hole on neck for aluminium and PVC shutters.

## Dimensioni/Dimensions mm

A	C	Ø	B	H
200	20x20	12	15	30