



# EASY RING

## CRICCHETTO REGOLABILE AD AGGANCIAMENTO INTERNO



Cricchetto regolabile ad aggancio interno | Adjustable catch with internal fixing | Cliquet réglable à accrochage rapide intérieur | Golpete regulable con enganche interior



Corpo in alluminio estruso, base di appoggio in zama, slitta in nylon, grani in acciaio inox



Aluminum extruded body, Zamak support base, Nylon slider, stainless steel setscrews



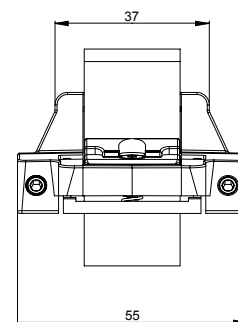
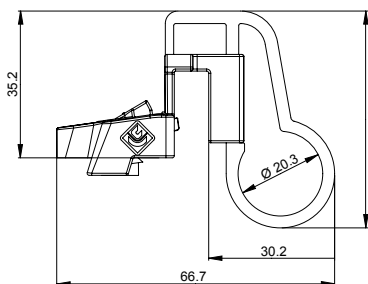
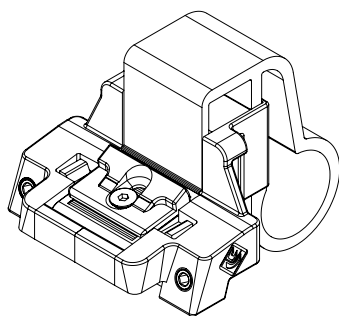
Corps en aluminium extrudé, base de soutien en zamak, glissière en nylon, grains en acier inox



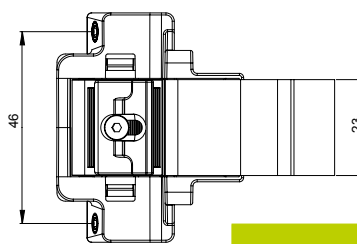
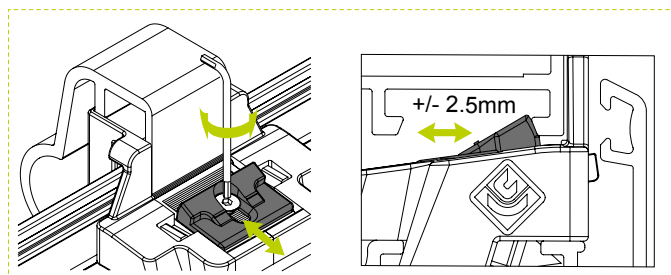
Cuerpo de aluminio extruido, base de apoyo de zamak, resbalón en nylon prisioneros de acero inox



ART.	1504.1   1504.2				1504.20				2391.1			
Imballo   Package   Conditionnement   Embalaje	20 PZ				5 PZ				20 PZ			
Finiture disponibili   Available finishes Finitions disponibles   Acabados disponibles	1	2	3	4	1	2	3	4	1	2	3	4



### REGOLAZIONI / ADJUSTEMENT



DESCRIZIONE DESCRIPTION	ART.	NODO SECTION
Cricchetto ad aggancio interno regolabile Adjustable catch with internal fixing	1504.1	A08
	1504.2	A01 - A05 - A20 - A21 - A22

### MONTAGGIO TANDEM / DUO MOUNTING

