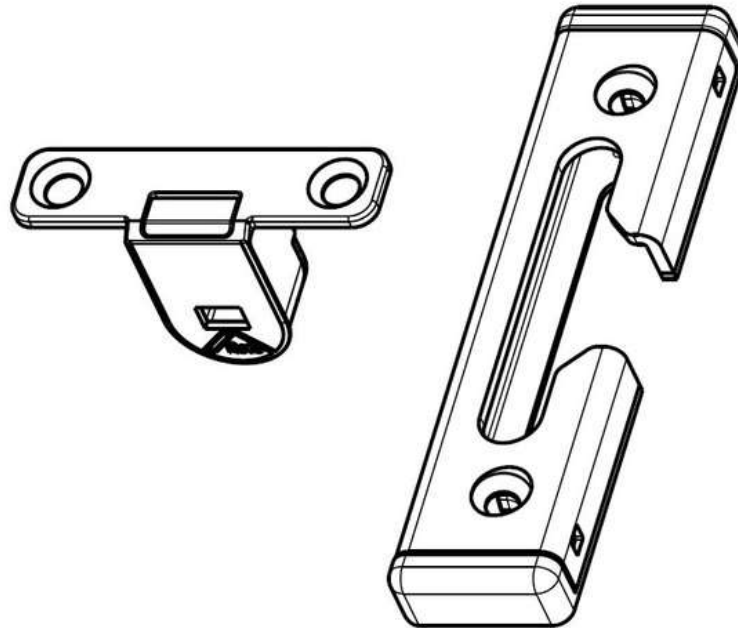


Product Information

Product Brand: Roto NT

Concealed turn lock NT timber / Roto NX T



Related Products

Roto NT
New product

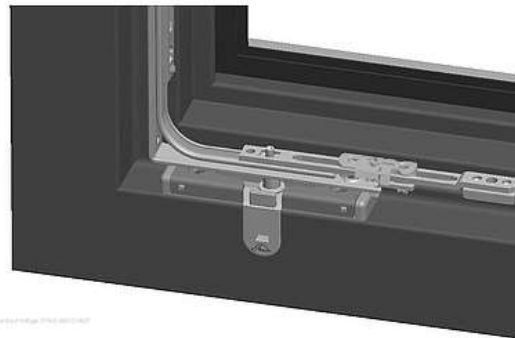
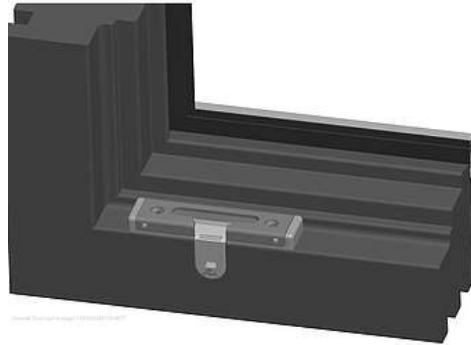
Scope

For timber windows with 13 mm axis.

Conditionally applicable for profiles with axis 9 mm - explanation see below.

Technical Details

- The turn lock is milled in
- Only in combination with key for the turn lock: 377995
- Can be used with tilt striker 737744 (rebate 24 mm) or 892029 (rebate 30 mm)
- Can be positioned variably in conjunction with bullet catch pin 534670 (in screw hole)
- Can also be used for profiles with 9 mm fitting axis: Use of centre lock 200 (305710) for the turn lock at the bottom horizontally behind corner drive. For this purpose, use the steel tilt striker without base on the frame side.



Availability / Ordering ability

Turn lock and tilt striker are available from end of October 2014.

February 2021: Tilt striker 892029 added

Product Overview

Material No.	EAN no.	Description	PU	Price/Pcs.	Material Size	D-MG	Spout Material
736987	4036263265821	DREHSPERRE VERDECKT BA13 NT	100		04	N44	
737744	4036263266170	NT RA KIL SH ST T FT24 DREHSPERRE	100		20	N04	
305710	4036263056696	MV 200 KB KPL FÜR DREHSPERRE VERDECKT	10		20	N03	
892029		NX RA KIL SH ST T FT30 DREHSPERRE					

