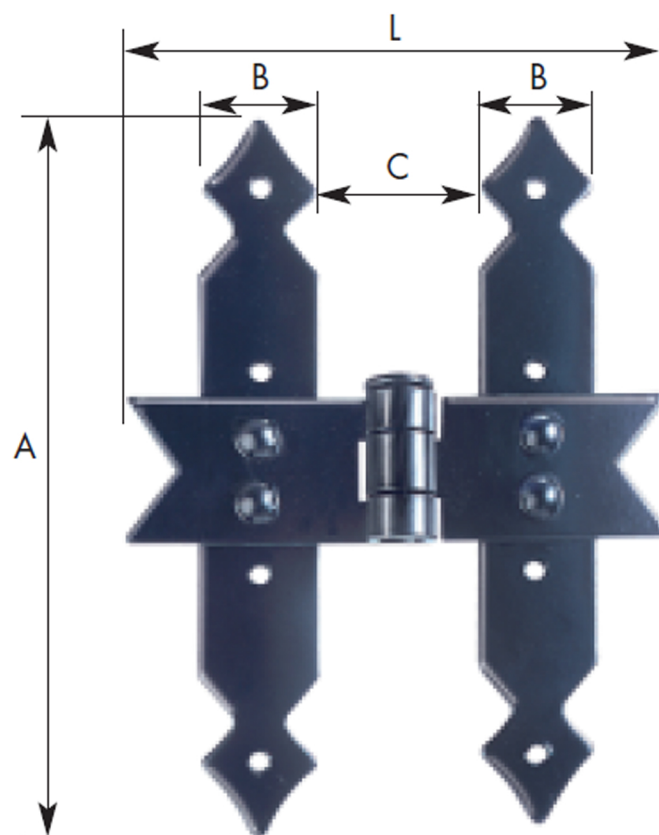


# 308

*Fixed lance double hinges*



<i>Dimensioni/Dimensions mm</i>			
A	L	B	C
170	125	30	35
200	125	30	35
250	125	30	35