



CERNIERA A PETTINE IN ALLUMINIO ESTRUSO



Cerniera a pettine in alluminio estruso | Comb hinge in extruded aluminium | Paumelle a peigne en aluminium extrudé | Bisagras de tres alas de aluminio extruido



Cerniera lato telaio e lato anta in alluminio estruso, piastrine in zama, boccole e tappini in nylon, viti e perno in acciaio inox.



Frame side and shutter side in extruded aluminum, zamak plates, nylon bushings and caps, stainless steel screws and pin.



Paumelle côté dormant et côté ouvrant en aluminium extrudé, plaques en zamak, bagues et bouchons en nylon, vis et pivot en acier inox.

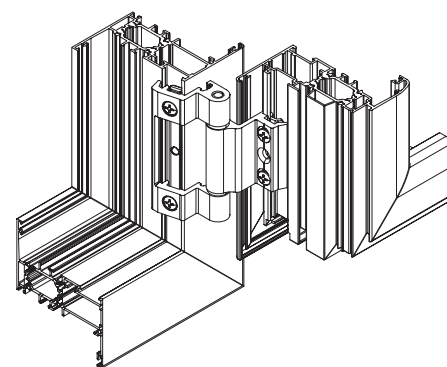
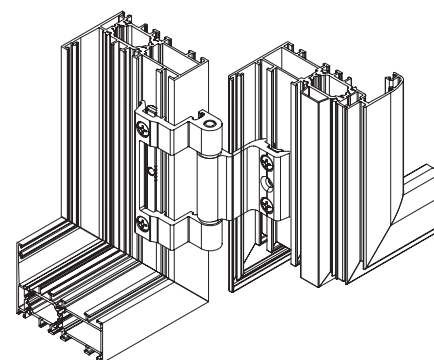
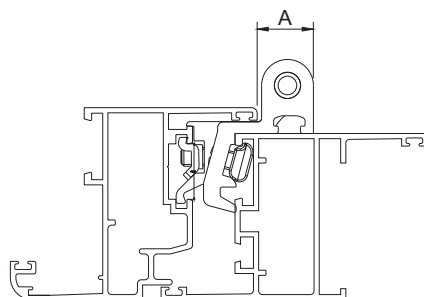
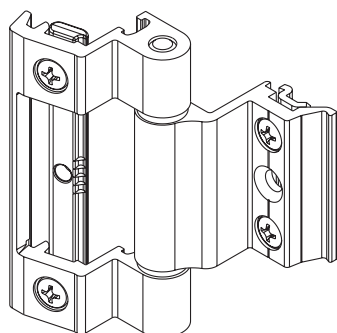


Bisagra del lado del marco y de la hoja de aluminio extruido, placas de zamak, casquillos y tapones de nylon, tornillos y pernio de acero inox.



ART.	TUTTI ALL TOUS TODOS
Imballo Package Conditionnement Embalaje	10 PZ
Finiture disponibili Available finishes Finitions disponibles Acabados disponibles	1 2 3 4

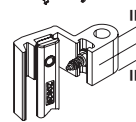
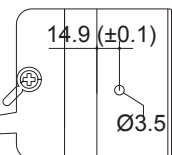
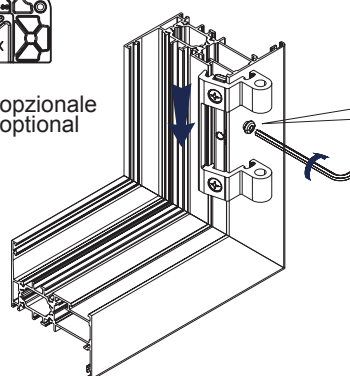
Art. 3420.71 | 3421.71



Dima / template
3400.50*

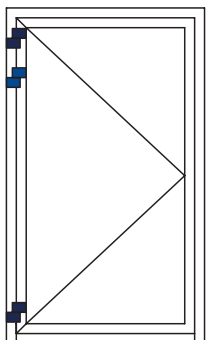


*opzionale
optional



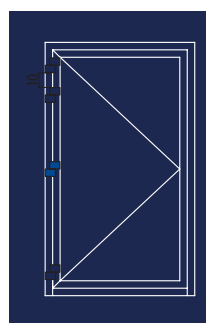
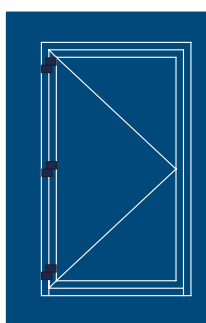
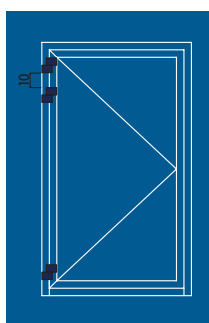
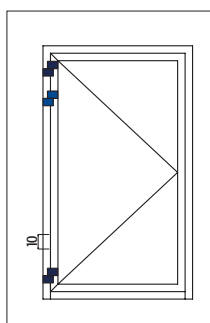
DESCRIZIONE DESCRIPTION	ART	NODO SECTION	A
Cerniera a pettine in alluminio estruso Comb hinge in extruded aluminium	3420.71	A01 - A02 - A03 - A04 A05 - A06 - A07	15
Cerniera a pettine in alluminio estruso Comb hinge in extruded aluminium	3421.71	A08	15

BATTENTE CASEMENT



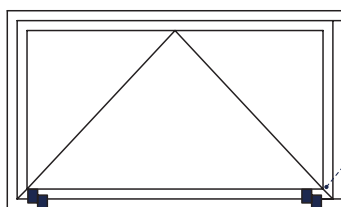
	2800	100%	100%	100%	100%	100%	100%	100%	100%	100%
	2700	100%	100%	100%	100%	100%	100%	100%	100%	100%
	2600	100%	100%	100%	100%	100%	100%	100%	100%	100%
	2500	100%	100%	100%	100%	100%	100%	100%	100%	100%
	2400	100%	100%	100%	100%	100%	100%	100%	100%	100%
	2300	100%	100%	100%	100%	100%	100%	100%	100%	100%
	2200	100%	100%	100%	100%	100%	100%	100%	97%	
	2100	100%	100%	100%	100%	100%	100%	100%	90%	
	2000	100%	100%	100%	100%	100%	100%	94%	83%	
	1900	100%	100%	100%	100%	100%	98%	86%	76%	
	1800	100%	100%	100%	100%	100%	90%	78%	69%	
	1700	100%	100%	100%	100%	95%	82%	71%	61%	
	1600	100%	100%	100%	100%	85%	73%	63%	54%	
H	1500	100%	100%	100%	100%	90%	76%	65%	55%	N.D.
	1400	100%	100%	100%	96%	80%	67%	57%	N.D.	N.D.
	1300	100%	100%	100%	84%	70%	58%	N.D.	N.D.	N.D.
	1200	100%	100%	90%	73%	60%	N.D.	N.D.	N.D.	N.D.
	1100	100%	97%	78%	62%	50%	N.D.	N.D.	N.D.	N.D.
	1000	100%	83%	65%	51%	N.D.	N.D.	N.D.	N.D.	N.D.
		600	700	800	900	1000	1100	1200	1300	1400

L

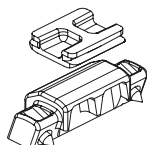


ART.		PORTATA LOAD CAPACITY
3420.71		100% = 80 Kg
3421.71		100% = 80 Kg
3420.71	+	100% = 120 Kg
3521.71	+	100% = 120 Kg

VASISTAS PESANTE HEAVY BOTTOM HINGE WINDOW

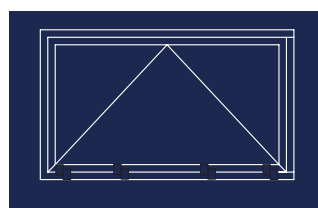
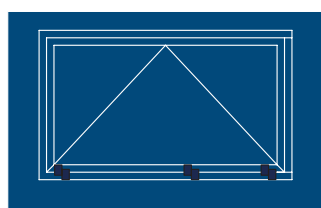
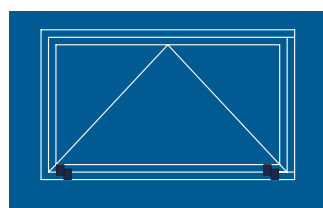


Art. 352X.33
Kit sostegno anta
Shutter support kit



	2000	90%	100%	100%	100%
	1600	75%	100%	100%	100%
H	1100	75%	100%	100%	90%
	500	60%	60%	75%	100%
		500	1100	1600	2000

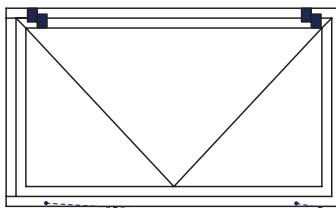
L



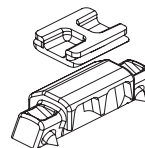
ART.	*	PORTATA LOAD CAPACITY
3420.71	+	100% = 200 Kg
3421.71	+	100% = 140 Kg

* OBBLIGATORIO
MANDATORY

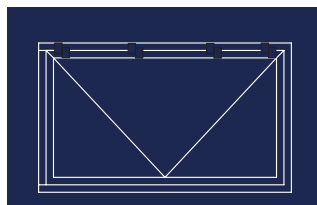
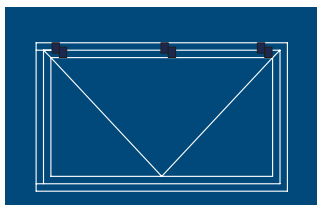
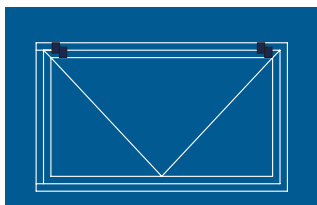
SPORGERE PROJECTING OPENING



Art. 352X.33
Kit sostegno anta
Shutter support kit



H	2000	100%	100%	100%	100%	100%	100%	100%	100%	100%	100%	100%	100%	100%	100%	100%	100%	100%	100%
	1900	100%	100%	100%	100%	100%	100%	100%	100%	100%	100%	100%	100%	100%	100%	100%	100%	100%	100%
	1800	100%	100%	100%	100%	100%	100%	100%	100%	100%	100%	100%	100%	100%	100%	100%	100%	100%	100%
	1700	100%	100%	100%	100%	100%	100%	100%	100%	100%	100%	100%	100%	100%	100%	100%	100%	100%	100%
	1600	100%	100%	100%	100%	100%	100%	100%	100%	100%	100%	100%	100%	100%	100%	100%	100%	100%	100%
	1500	100%	100%	100%	100%	100%	100%	100%	100%	100%	100%	100%	100%	100%	100%	100%	100%	100%	100%
	1400	100%	100%	100%	100%	100%	100%	100%	100%	100%	100%	100%	100%	100%	100%	100%	100%	100%	100%
	1300	100%	100%	100%	100%	100%	100%	100%	100%	100%	100%	100%	100%	100%	100%	100%	100%	100%	100%
	1200	100%	100%	100%	100%	100%	100%	100%	100%	100%	100%	100%	100%	100%	100%	100%	100%	100%	100%
	1100	100%	100%	100%	100%	100%	100%	100%	100%	100%	100%	100%	100%	100%	100%	100%	100%	100%	100%
	1000	100%	100%	100%	100%	100%	100%	100%	100%	100%	100%	100%	100%	100%	100%	100%	100%	100%	100%
	900	100%	100%	100%	100%	100%	100%	100%	100%	100%	100%	100%	100%	100%	100%	100%	100%	100%	N.D.
	800	100%	100%	100%	100%	100%	100%	100%	100%	100%	100%	100%	100%	100%	100%	N.D.	N.D.	N.D.	N.D.
	700	100%	100%	100%	100%	100%	100%	100%	100%	100%	100%	100%	100%	N.D.	N.D.	N.D.	N.D.	N.D.	N.D.
	600	100%	100%	100%	100%	100%	100%	100%	100%	100%	N.D.	N.D.	N.D.	N.D.	N.D.	N.D.	N.D.	N.D.	N.D.
	500	100%	100%	100%	100%	100%	100%	100%	N.D.	N.D.	N.D.	N.D.	N.D.	N.D.	N.D.	N.D.	N.D.	N.D.	N.D.
	400	100%	100%	100%	100%	N.D.	N.D.	N.D.	N.D.	N.D.	N.D.	N.D.	N.D.	N.D.	N.D.	N.D.	N.D.	N.D.	N.D.
	300	100%	100%	100%	N.D.	N.D.	N.D.	N.D.	N.D.	N.D.	N.D.	N.D.	N.D.	N.D.	N.D.	N.D.	N.D.	N.D.	N.D.
			300	400	500	600	700	800	900	1000	1100	1200	1300	1400	1500	1600	1700	1800	1900
		L																	



ART.	*	PORTATA LOAD CAPACITY
3420.71	+	100% = 120 Kg

* OBBLIGATORIO
MANDATORY