

308 □ Z2 90 02

04 *

05

06

07

08

09

10

H_{cm}



+20mm
0mm



400 Kg



ABS

Fe

ZAMAK

CTBA



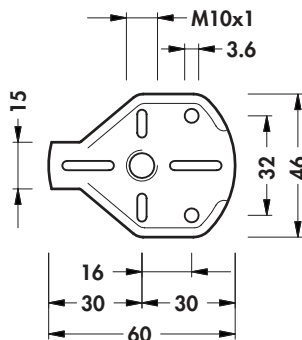
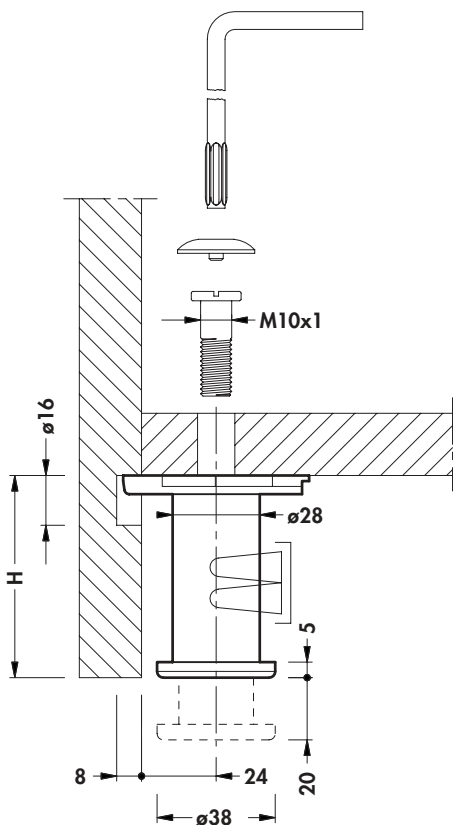
100



1200



200



9			809 638-641
---	--	--	-----------------------

9		308 617
---	--	-------------------

9		202 600 H 7-10	203 601 H 5-10	204 602 H 7-10
---	--	-----------------------------	-----------------------------	-----------------------------

225 606 H 5-10	226 697-609 H 5-10	228 611 H 5-10
-----------------------------	---------------------------------	-----------------------------