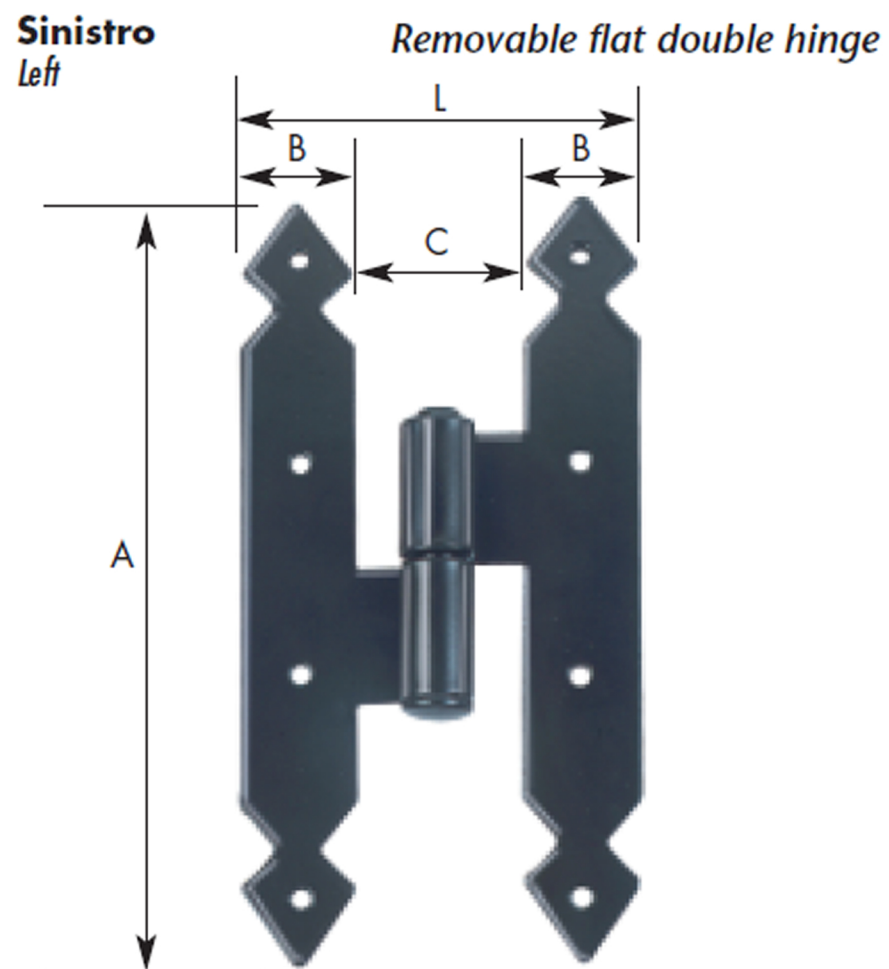


321



12 Pz. Destri o Sinistri
12 Pcs. Right or Left

| Dimensioni/Dimensions mm | | | | |
|--------------------------|-----|----|----|----|
| A | L | C | Ø | B |
| 200 | 105 | 45 | 12 | 30 |