

CD213RS

Design:
Colombo Design



OL
Oroplus

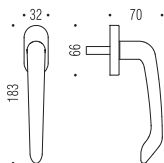


CM
Cromat
Matt chrome



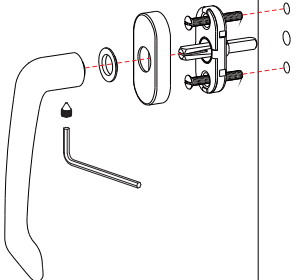
CD 213 RS






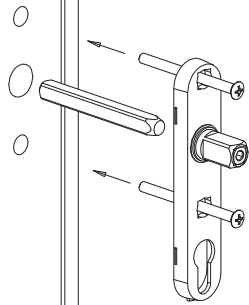
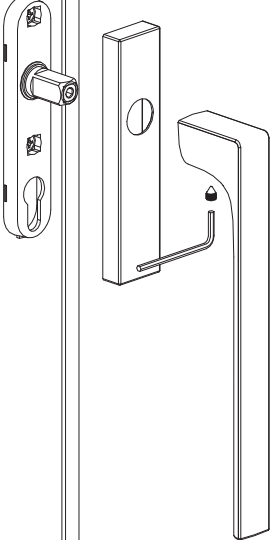


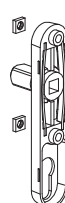
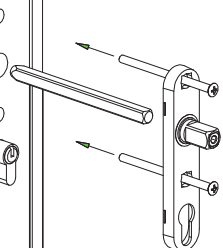
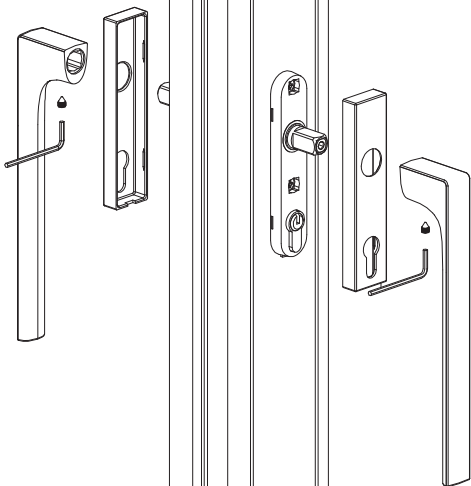
OL - CM



MANIGLIONE PER COMPLANARE PULL FOR COPLANAR SLIDING DOORS

ARTICOLO ARTICLE	NOTE	ESPLOSO TECNICO TECHNICAL DETAILS
<p>CD213 RS ID313 RS ID513 RS Design: Colombo Design</p> <p>LC413 RS Design: Luca Colombo</p> <p>INTERASSE FORI HOLES CENTRE 43mm</p>	<p> 7x40</p> <p></p>	<p>PREZZO COMPRESIVO DI MOVIMENTO 4 SCATTI CON BOCCOLE (DK 40 D) 4 STOPS DK MECHANISM AND INSERTS INCLUDED</p> <p></p>

MANIGLIONI PER ALZANTE SCORREVOLE PULL-UP HANDLES FOR SLIDING DOORS

ARTICOLO ARTICLE	NOTE	ESPLOSO TECNICO TECHNICAL DETAILS
<p>AM113 Design: Alberto Meda</p> <p>ID113 / ID313 ID513 CD113 MIGNON Design: Colombo Design</p> <p>LC113 / LC213 LC413 Design: Luca Colombo</p> <p>INTERASSE FORI HOLES CENTRE 80mm</p>	<p> 10x10x95</p> <p> ≤80mm</p>	<p> 1</p> <p> 2</p> <p></p>
<p>AM213 Y Design: Alberto Meda</p> <p>ID213 Y ID413 Y ID613 Y Design: Colombo Design</p> <p>LC213 Y LC513 Y Design: Luca Colombo</p> <p>INTERASSE FORI HOLES CENTRE 80mm</p>	<p> 10x10x145</p> <p> ≤87mm</p>	<p> 1</p> <p> 2</p> <p></p>