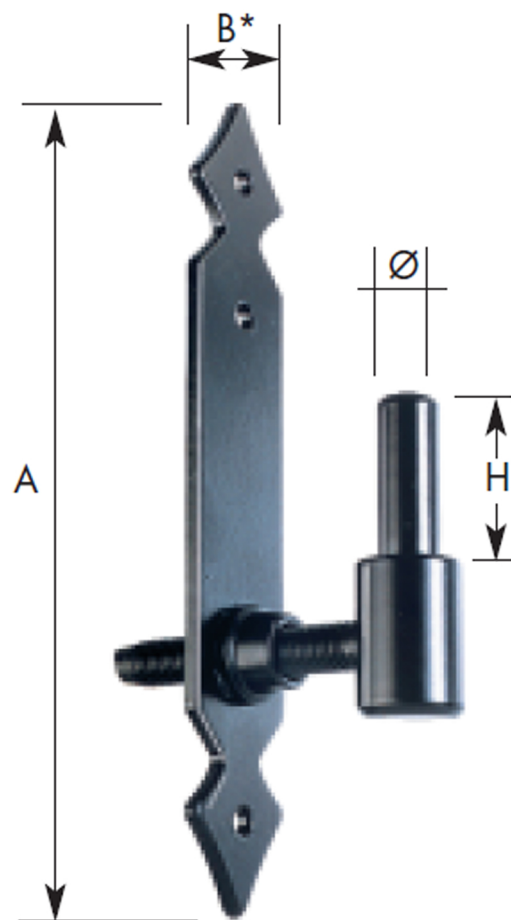


*Adjustable plate with Anuba hinge*

Regolabile con  
ANUBA Art. 332  
Filetto 10 MA x 60  
**TUTTO FILETTO**

*Adjustable with  
Anuba Hinge Art.332  
Thread 10 MA x 60  
FULLY THREADED*

\* A richiesta B = 20 mm

\* Upon request B = 20 mm

Dimensioni/Dimensions mm			
A	H	Ø	B
170	30	12	30
<b>A RICHIESTA ON REQUEST</b>			<b>20</b>