

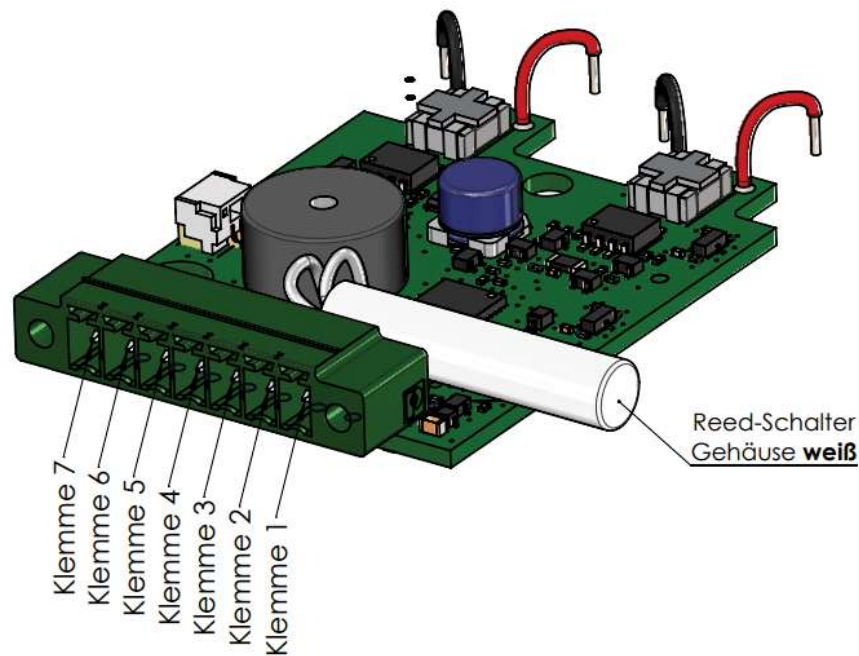


Status:

- Nur als loser **Nachrüstmotor** (VNZA0096)
- **Optimierte Platine** (EMV-Prüfung bestanden)
- Unterscheidung durch **weißen Reed-Schalter**
- Beide Motoren zunächst parallel im Programm
- **Mehrpreis** mind. 12,00 EUR netto
- Vertrieb ab sofort

State:

- Only offered as a loose **retrofit motor** (VNZA0096)
- **Optimized circuit board** (EMC test passed)
- Differentiation by **white reed switch**
- Both motor drives initially run in parallel in the program
- Additional price at least EUR 12.00 net
- Available now



Technical details

- Terminal 1 = Data line
- Terminal 2 = GND
- Terminal 3 = Power supply 12 V DC und 24 V DC
- Terminal 4 = **Input potential-free or with voltage**
 - Short-open (impulse)
 - Permanent open (permanent signal)
- Terminal 5 = GND
- Terminal 6 = 12 V DC Output for external devices
- Terminal 7 = **Input potential-free or with voltage**
 - Short-open (impulse)
 - Permanent open (permanent signal)

	FUHR autotronic 12V	FUHR autotronic 12/24V	GU A-Öffner
Merkmale Features			
Betriebsspannung <i>Operating power</i>	12 VDC	12/24 VDC	12 VAC, 12-24 VDC
Feuchtigkeitsschutz <i>Moisture protection</i>	optional	Schutzlack	x
Signalton entriegelt <i>Acoustic signal "unlocked"</i>	x	x	✓
Signalton öffenbereit <i>Acoustic signal "ready to open"</i>	✓	✓	x
Alarmsignal Verpolung <i>Acoustic signal "reverse polarity"</i>	✓	✓	x
Alarmsignal Blockade <i>Acoustic signal "blocking"</i>	✓	✓	x
Stromaufnahme <i>Power consumption</i>	max. 3 A	max. 3 A	max. 1 A
Geprüfte Zyklen <i>Tested cycles</i>	500.000	500.000	200.000
Servo-Funktion <i>Servo</i>	x	x	✓
Entriegelungszeit <i>Time to unlock</i>	ca. 0,5 Sek.	ca. 0,5 Sek.	ca. 1-2 Sek.
Datenleitung (Steuerung) <i>Data line (control unit)</i>	✓	✓	x
Öffnungsimpuls potentialfrei <i>Potential free opening contact</i>	✓	✓	✓
Öffnungsimpuls bestromt <i>Opening contact with current</i>	x	✓	x
Dauerentriegelung <i>Permanent unlocking</i>	x	✓	✓
Ausgänge Outputs			
12 V ext. Verbraucher <i>12 V external devices</i>	✓	✓	x
Meldung "verriegelt" <i>Feedback "locked"</i>	✓	✓	x

Alleinstellungsmerkmale FUHR autotronic

- Stark
- Schnell
- Langlebig
- Kompatibel (Smartlock + App)

Unique Selling Proposition FUHR autotronic

- Strong
- Fast
- Durable
- Compatible (Smartlock + App)